

PRO SOL[®]
we deliver quality!

New Launch
2023-24

LIBUX MECHANISM FOR FOLDING DOORS

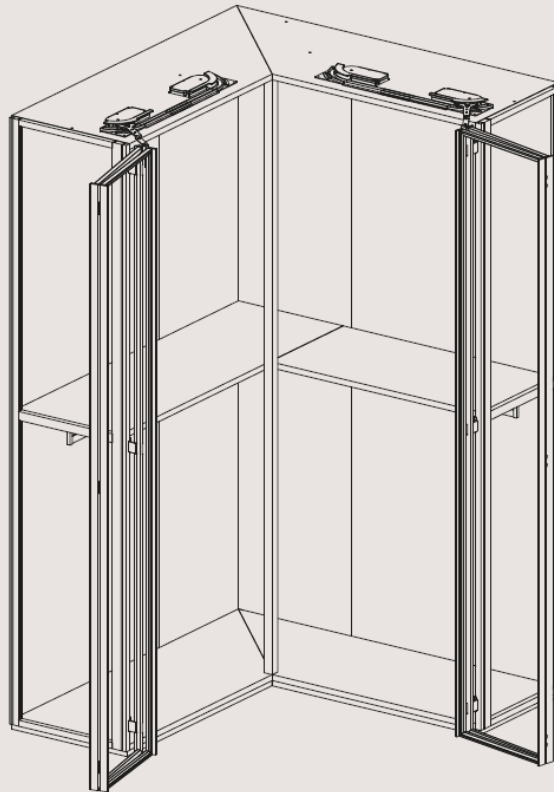
02.1 Libux mechanism for folding doors

02.2 Hinges for wooden folding doors

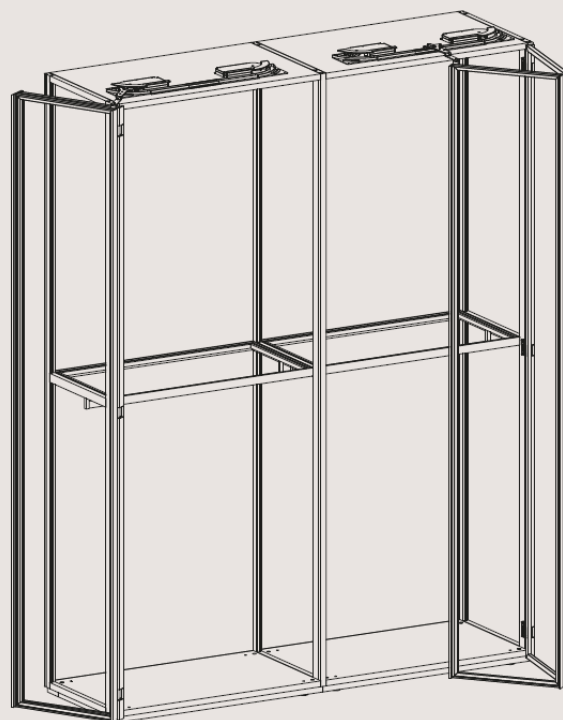
02.3 Hinges and profiles for aluminium folding doors

DIFFERENT APPLICATIONS WITH THE SAME MECHANISM:

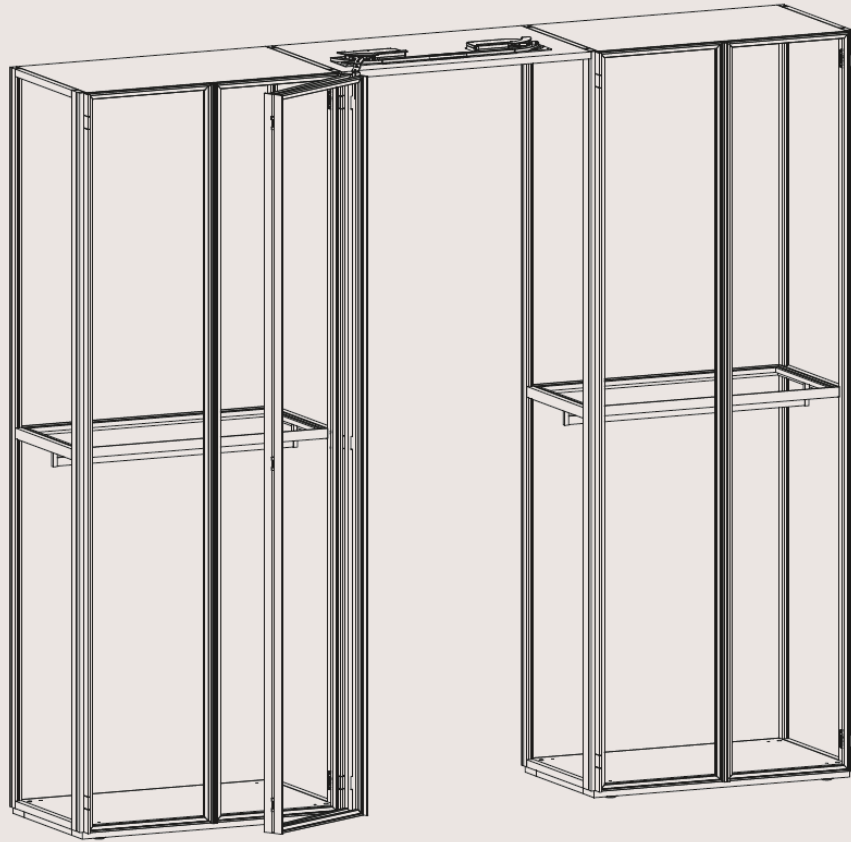
corner opening



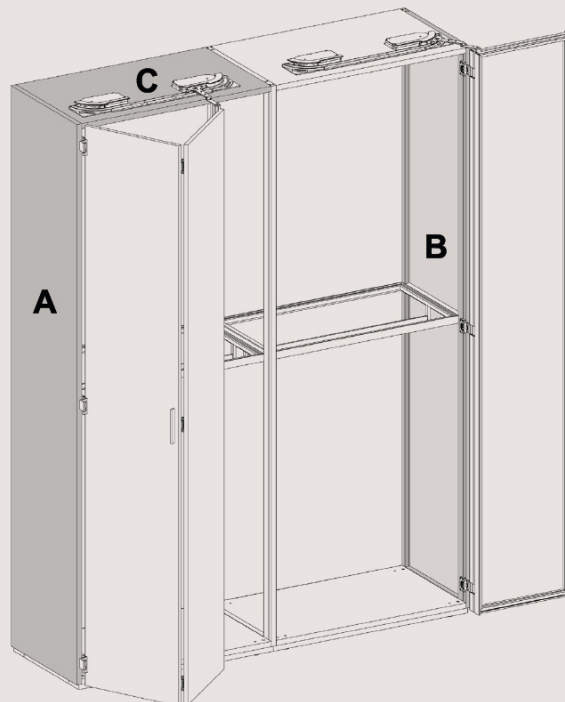
folding opening



folding opening for passageway



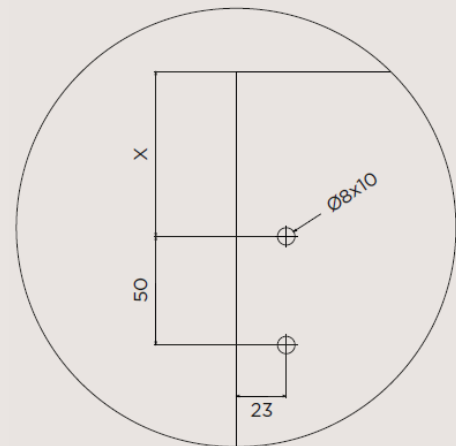
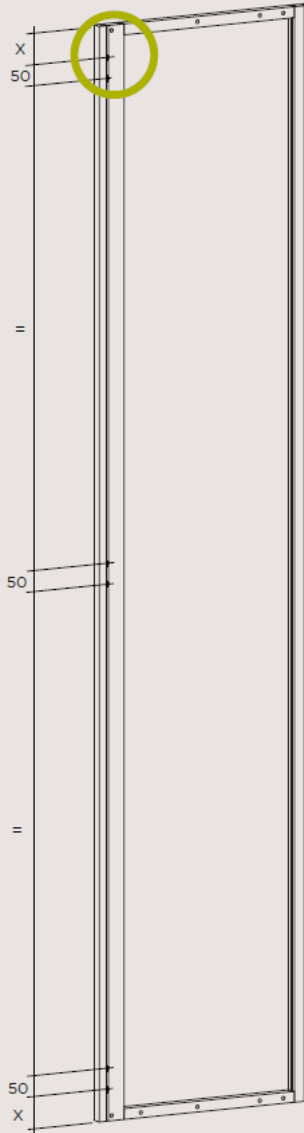
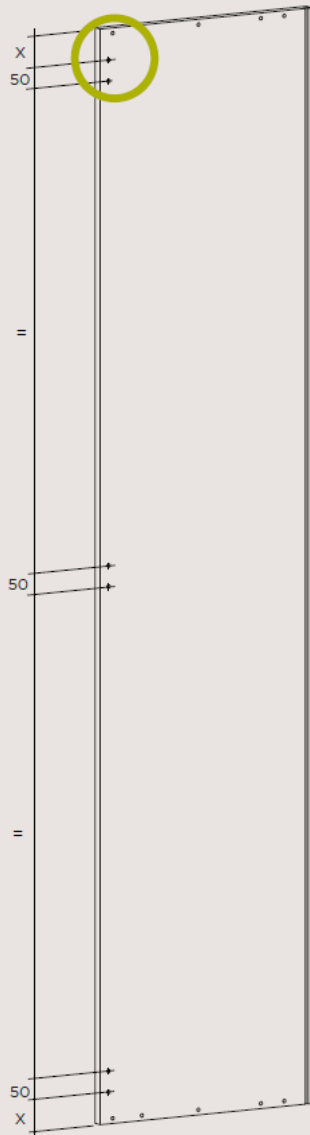
HOW TO PREPARE THE MECHANISM AND WARDROBE STRUCTURE:



A - B: drilling patterns on side panels

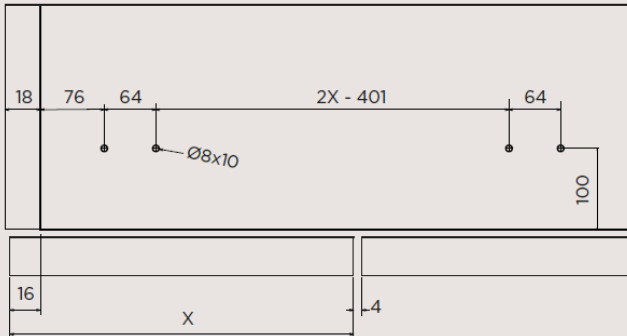
A - wooden side panel

B - Tetrix aluminium side structure

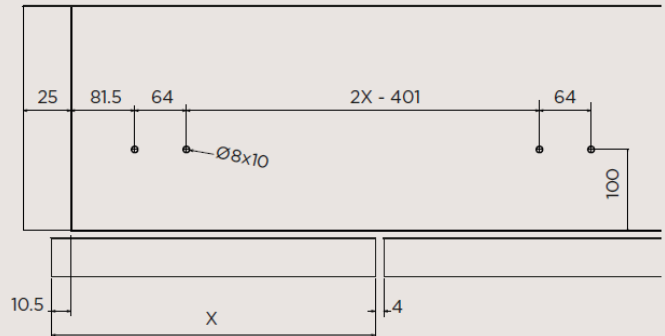


C: drilling patterns on top panel

X = DOOR WIDTH



side panel thickness 18mm



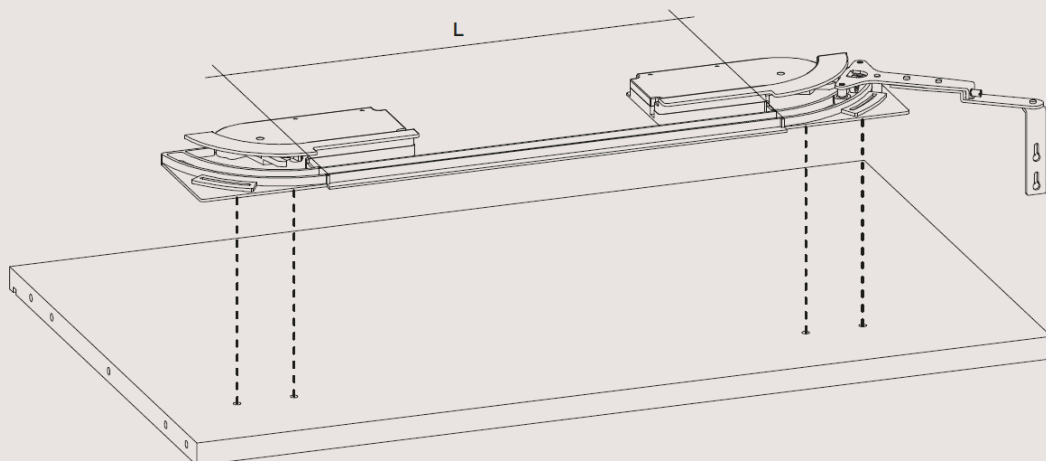
side panel thickness 25mm

C: how to cut the rail profile

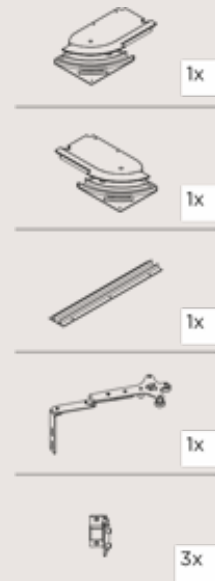
L = 2X-462

L = RAIL PROFILE LENGTH (mm)

X = DOOR WIDTH (mm)



LIBUX MECHANISM FOR FOLDING DOORS



ITEM	SPECIFICATIONS	BOX
TA-2680.BMG	Left / Right opening	1

HINGES FOR WOODEN FOLDING DOORS

02.1 Libux mechanism for folding doors

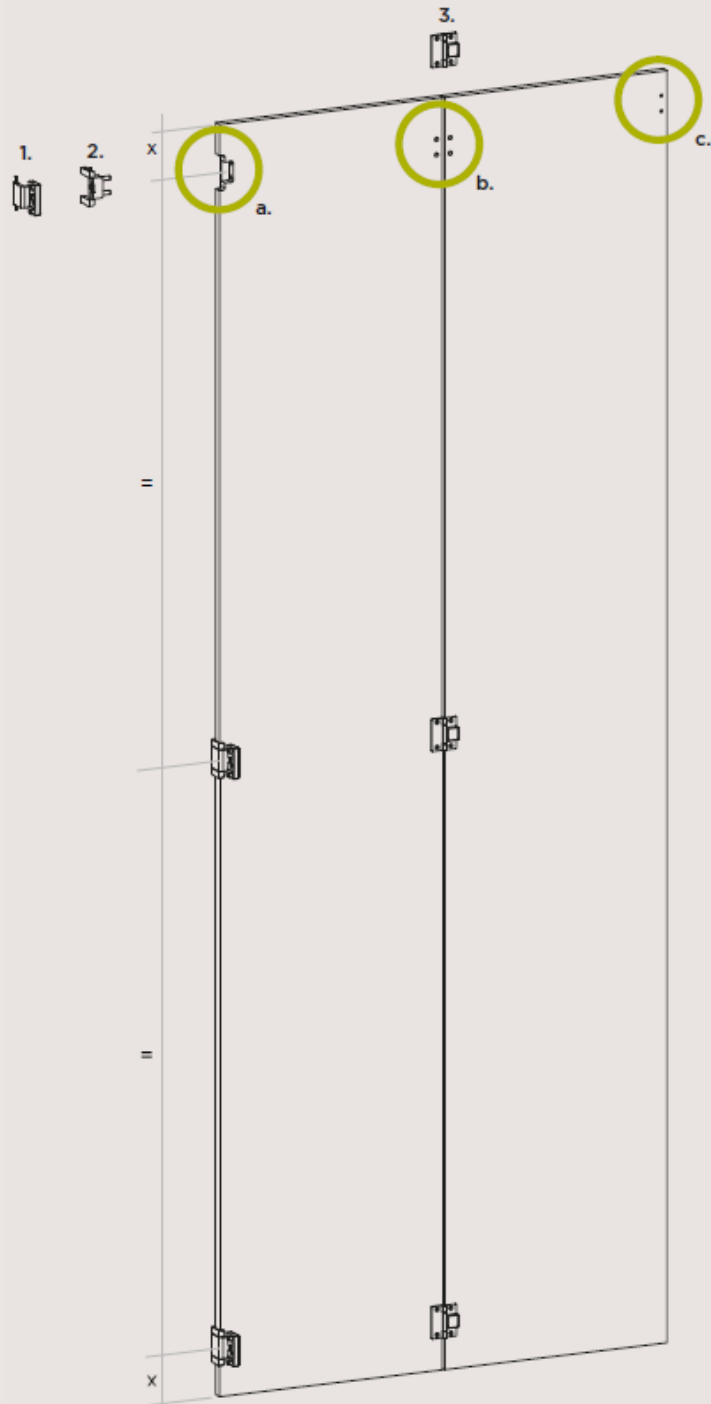
02.2 Hinges for wooden folding doors

02.3 Hinges and profiles for aluminium folding doors

HOW TO PREPARE THE WOODEN DOORS:

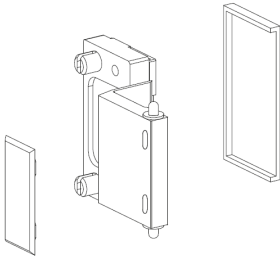


internal and external doors, view from inside



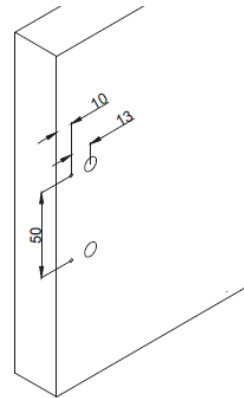
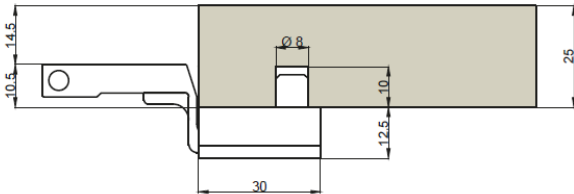
- 1. Glix hinges 3.0
- 2. Glix on
- 3. hinges for folding opening, included into the mechanism kit

GLIX HINGE 3.0 FOR SIDE PANEL THICKNESS 25MM

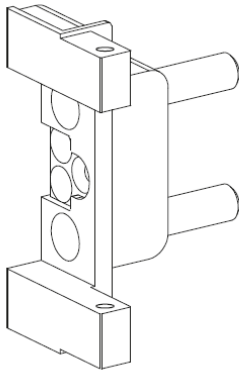


ITEM	FINISHING	PANEL THICKNESS(mm)	BOX
TA-2683.25.BMG	Brown Metal Grey	25	24

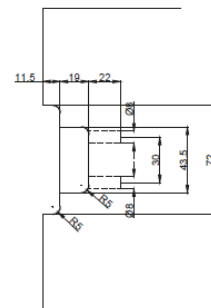
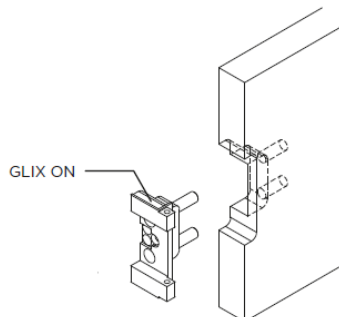
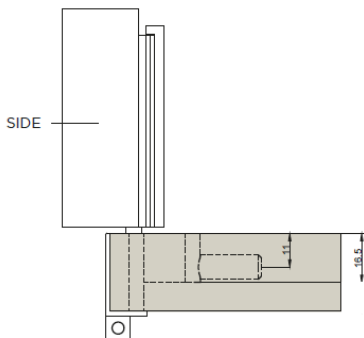
working process on the side panels



GLIX ON - INSERT FOR WOODEN DOOR



ITEM	FINISHING	PANEL THICKNESS(mm)	BOX
TA2407.25	Brown Metal Grey	25	24



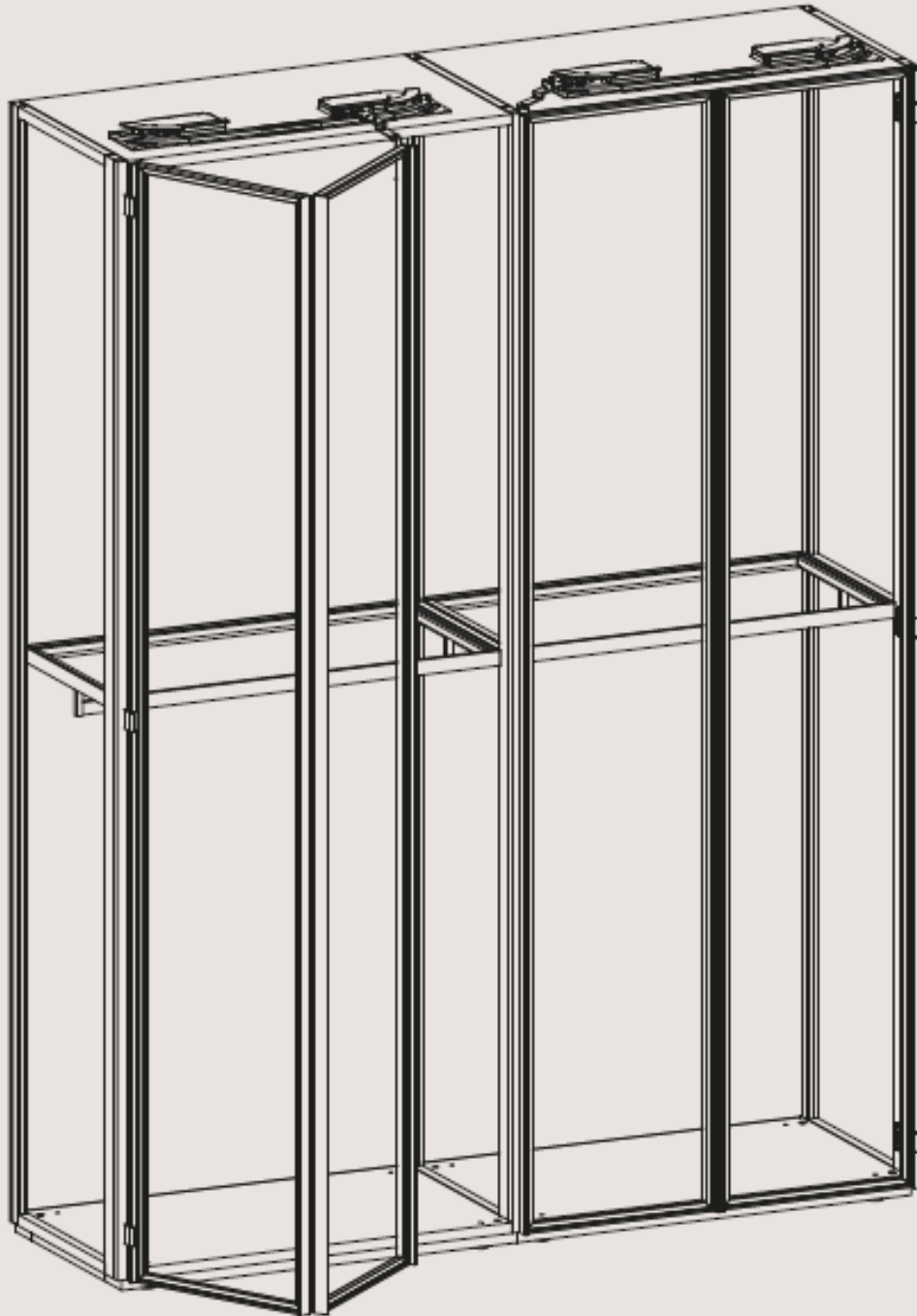
HINGES AND PROFILES FOR ALUMINIUM FOLDING DOORS

02.1 Libux mechanism for folding doors

02.2 Hinges 02.2 Hinges for wooden folding doors

02.3 Hinges and profiles for aluminium folding doors

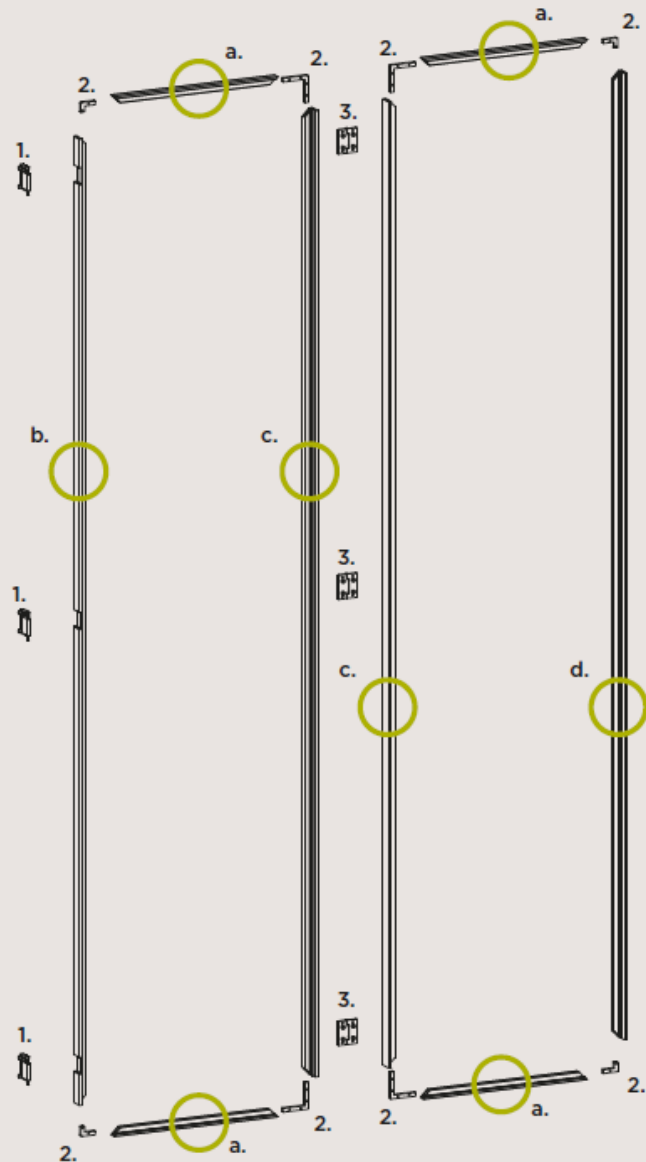
HOW ARE COMPOSED THE ALUMINIUM DOORS:



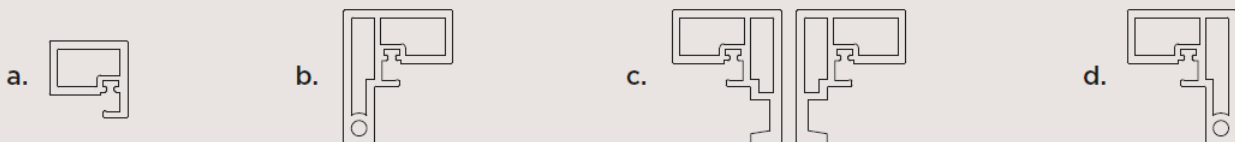
FOLDING DOORS OPENING SYSTEM | HINGES FOR WOODEN FOLDING DOORS

internal and external doors, view from inside

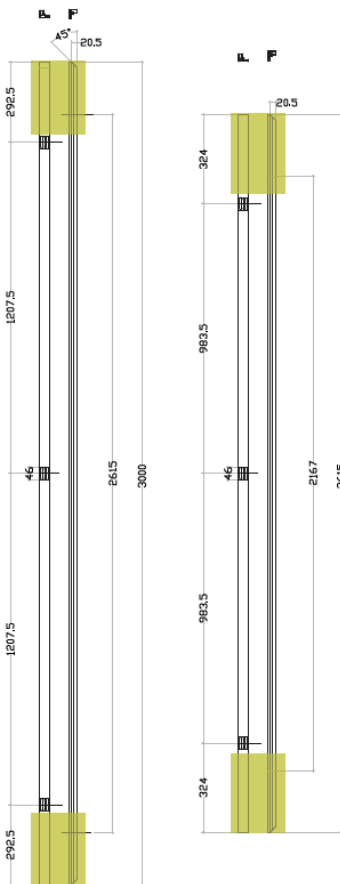
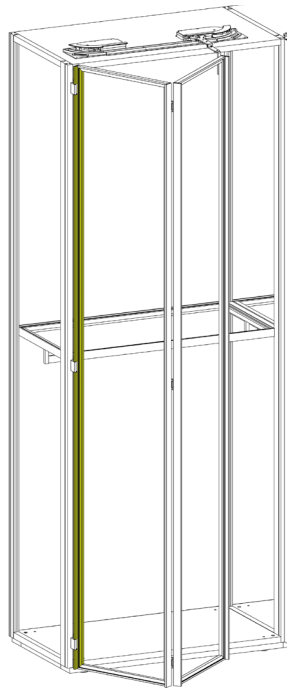
- 1. Glix hinges 3.0
- 2. set of connecting fittings
- 3. central hinges for folding opening, included into the mechanism kit



profiles for internal and external aluminium doors

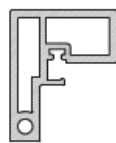


CUTTABLE HINGED PROFILE WITH SOFT CLOSING ASSEMBLED FOR LIBUX



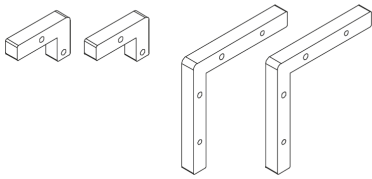
ITEM	FINISHING	LENGTH (mm)	CUTTABLE LENGTH (mm)	BOX
TA-2681.BMG	Brown Metal Grey	3000	453	8

Rubber gasket included



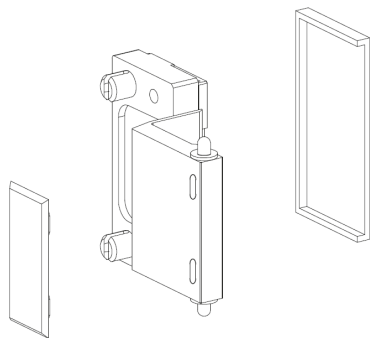
Cuttable part

KIT OF CONNECTING FITTINGS



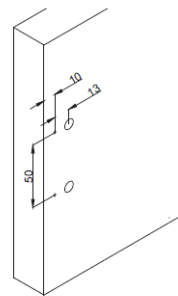
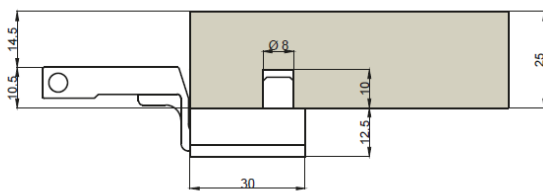
ITEM	SPECIFICATIONS	BOX
TA-2306	Kit composed by 2 small connecting plates, 2 big connecting plates and 8 screws M4x10	40

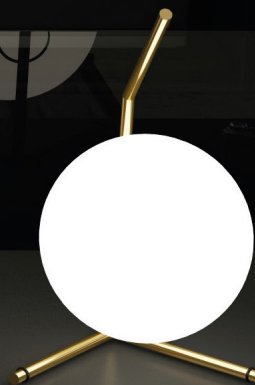
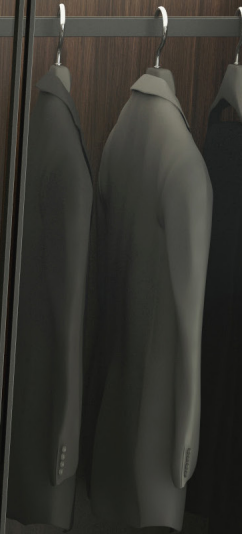
GLIX HINGE 3.0 FOR SIDE PANEL THICKNESS 25MM



ITEM	FINISHING	PANEL THICKNESS (mm)	BOX
TA-2683.25.BMG	Brown Metal Grey	25	24

working process on the side panels







SPECIAL HINGED DOORS SYSTEMS

GLIX HINGES 3.0 EXTERNAL MOUNTING

03.1 Glix hinges 3.0 external mounting

03.2 Glix hinges recessed mounting

03.3 Glix light aluminium profiles for doors

03.4 Glix aluminium profiles for doors

03.5 Recessed hinges and profiles

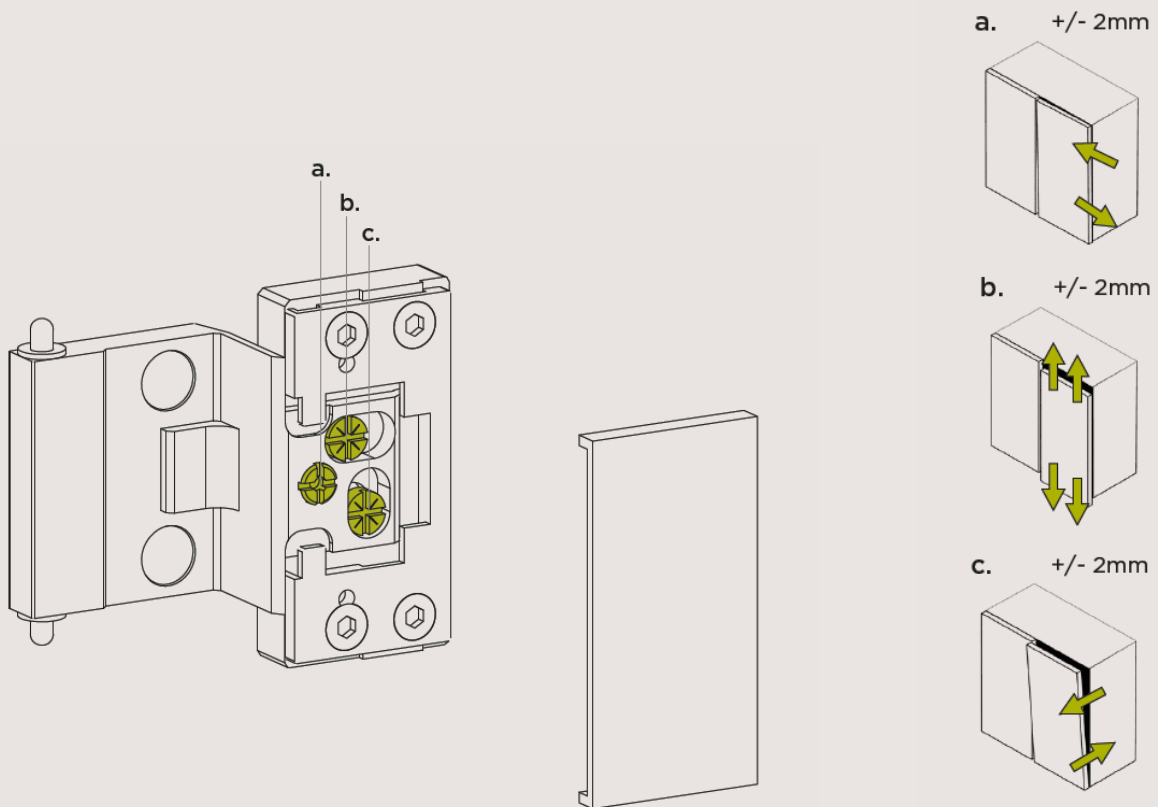
03.6 Recessed hinges with load capacity 30Kg and profiles



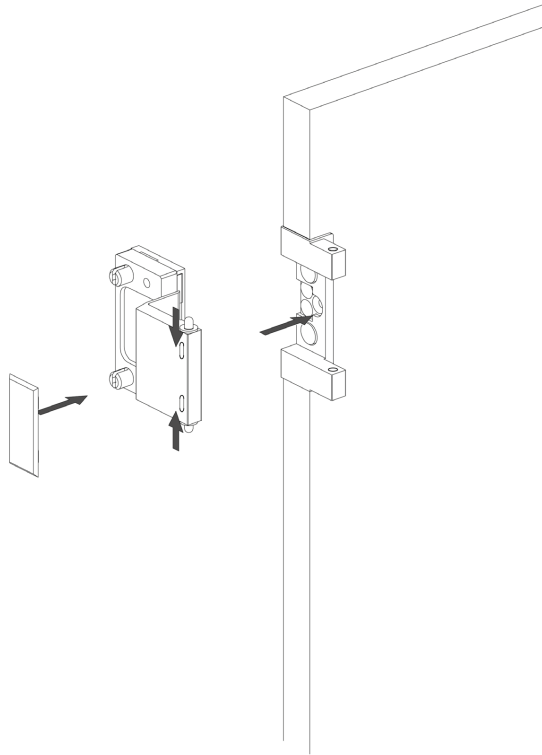
SPECIAL HINGED DOORS SYSTEMS | GLIX HINGES 3.0 EXTERNAL MOUNTING



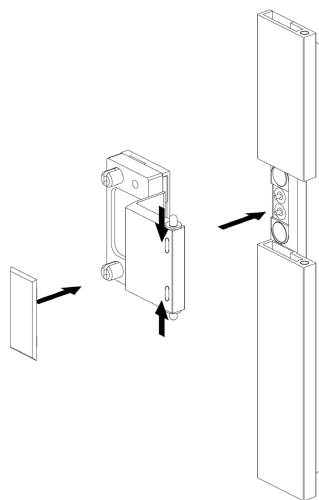
door adjustment



how to assemble the Glix Hinge 3.0 on the Glix On insert for wooden doors

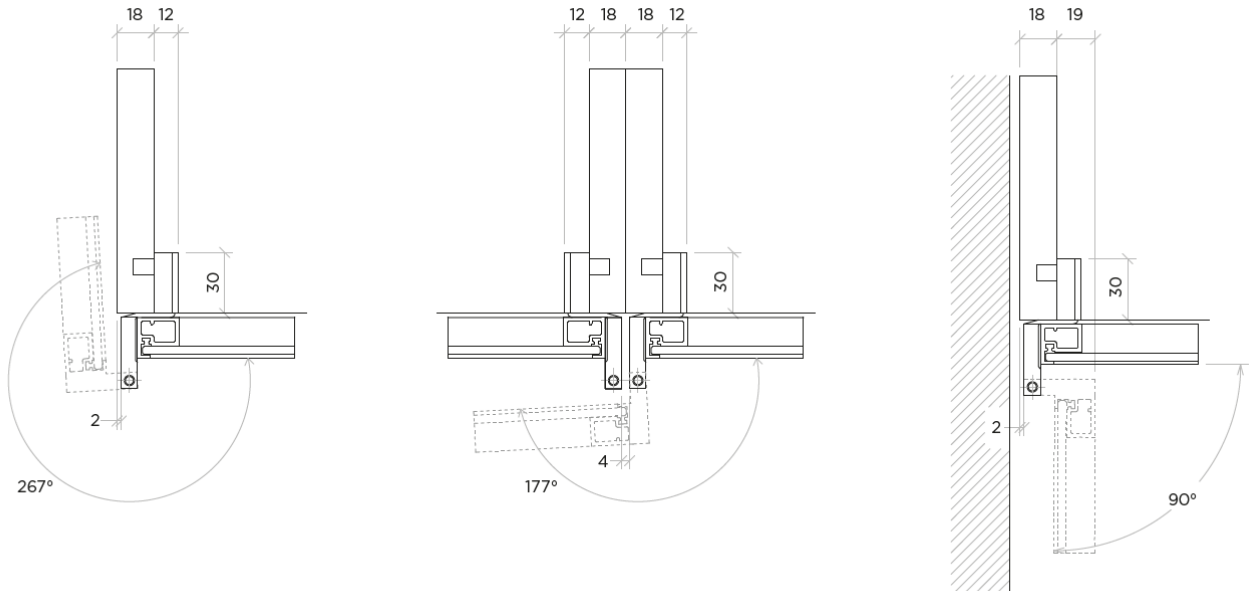


how to assemble the Glix Hinge 3.0 on the aluminium profile

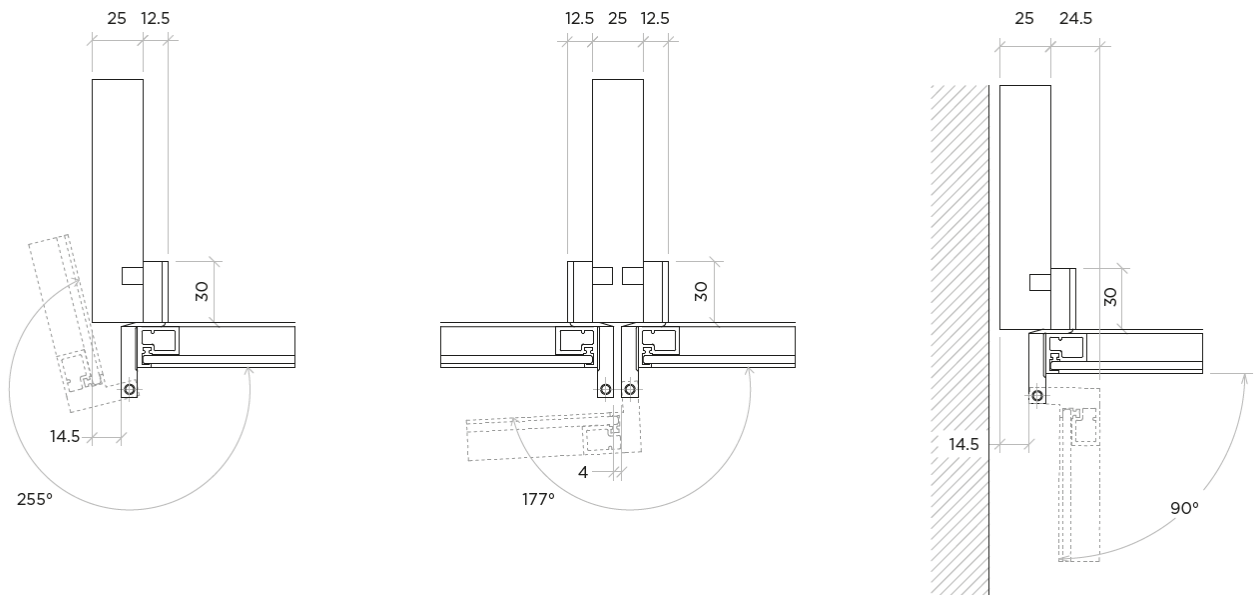


SPECIAL HINGED DOORS SYSTEMS | GLIX HINGES 3.0 EXTERNAL MOUNTING

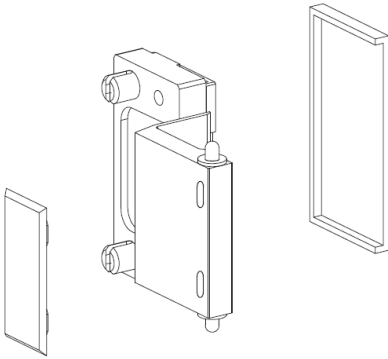
door overlap with lateral panel thickness 18mm



door overlap with lateral panel thickness 25mm

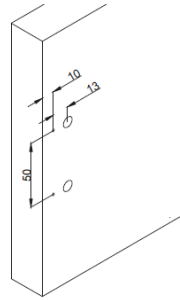
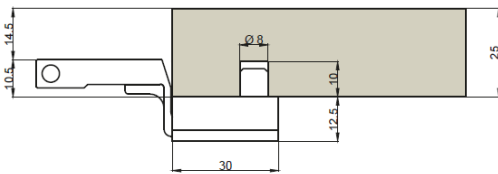


GLIX HINGE 3.0 FOR SIDE PANEL THICKNESS 25MM

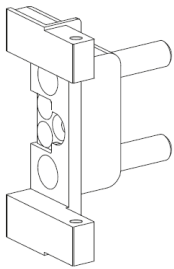


ITEM	FINISHING	PANEL THICKNESS (mm)	BOX
TA-2683.25.BMG	Brown Metal Grey	25	24

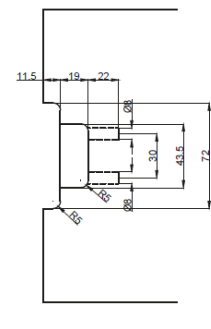
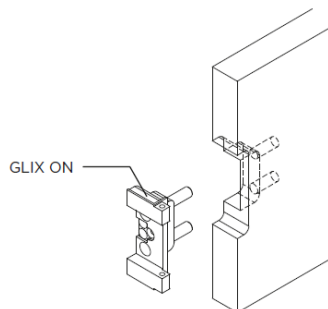
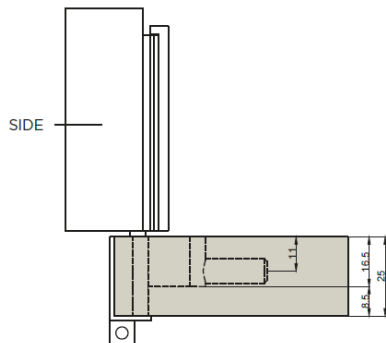
working process on the side panels



GLIX ON - INSERT FOR WOODEN DOOR THICKNESS 25MM



ITEM	FINISHING	PANEL THICKNESS (mm)	BOX
TA-2685.25	Brown Metal Grey	25	24



GLIX HINGES RECESSED MOUNTING

03.1 Glix hinges 3.0 external mounting

03.2 Glix hinges recessed mounting

03.3 Glix light aluminium profiles for doors

03.4 Glix aluminium profiles for doors

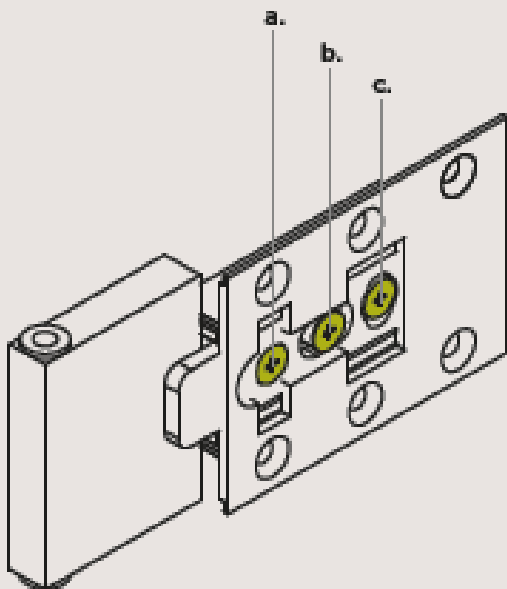
03.5 Recessed hinges and profiles

03.6 Recessed hinges with load capacity 30Kg and profiles

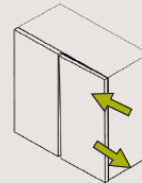




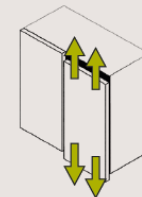
door adjustment



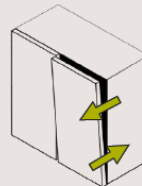
a. +/- 2mm



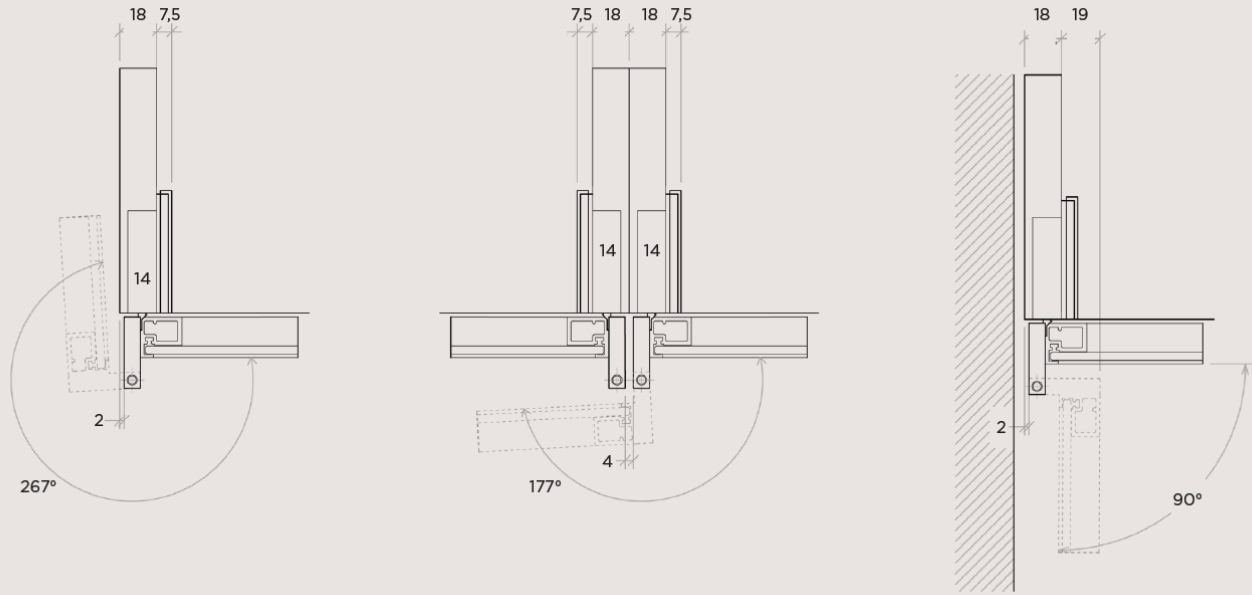
b. +/- 2mm



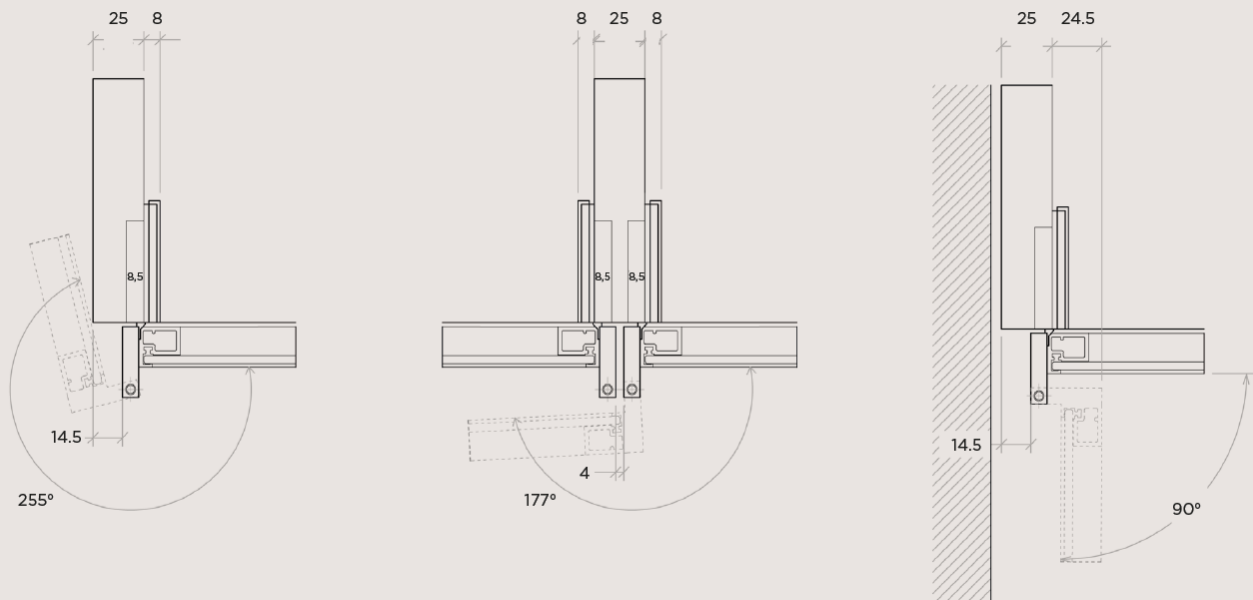
c. +/- 2mm



door overlap with lateral panel thickness 18mm

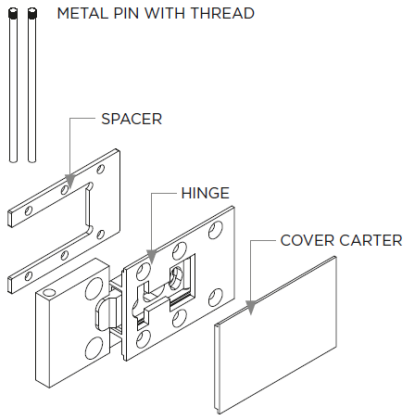


door overlap with lateral panel thickness 25mm



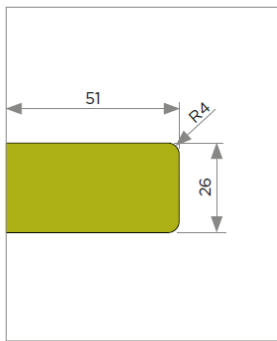
SPECIAL HINGED DOORS SYSTEMS | GLIX HINGES RECESSED MOUNTING

SET OF TWO HINGES FOR SIDE PANEL THICKNESS 25MM

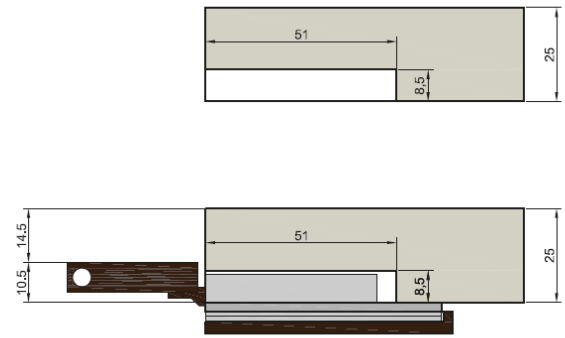
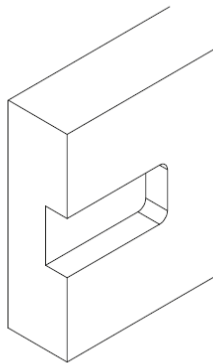


ITEM	FINISHING	PANEL THICKNESS (mm)	BOX
TA-2307.25	Brown Metal Grey	25	8

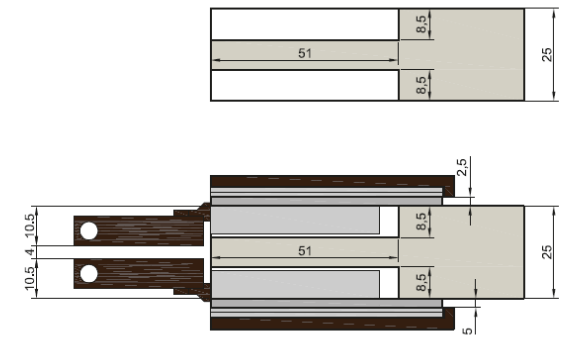
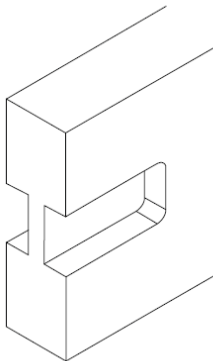
milling required



single door application



double doors application



GLIX LIGHT ALUMINIUM PROFILES FOR DOORS

03.1 Glix hinges 3.0 external mounting

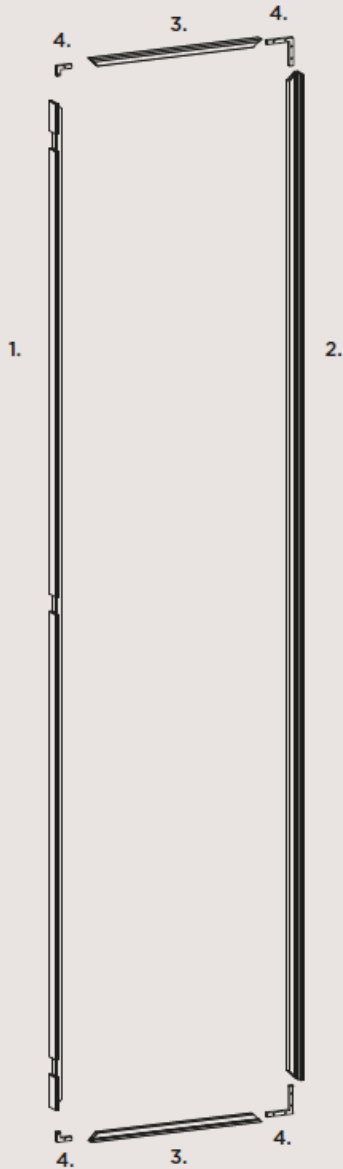
03.2 Glix hinges recessed mounting

03.3 Glix light aluminium profiles for doors

03.4 Glix aluminium profiles for doors

03.5 Recessed hinges and profiles

03.6 Recessed hinges with load capacity 30Kg and profiles



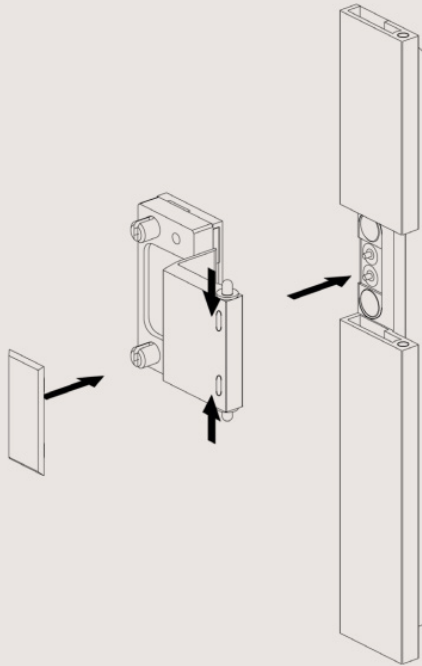
DOOR KIT COMPOSITION:

1. ALUMINIUM PROFILE MILLED FOR HINGES
2. ALUMINIUM HANDLE PROFILE
3. HORIZONTAL ALUMINIUM PROFILES
4. CONNECTING FITTINGS WITH SCREWS

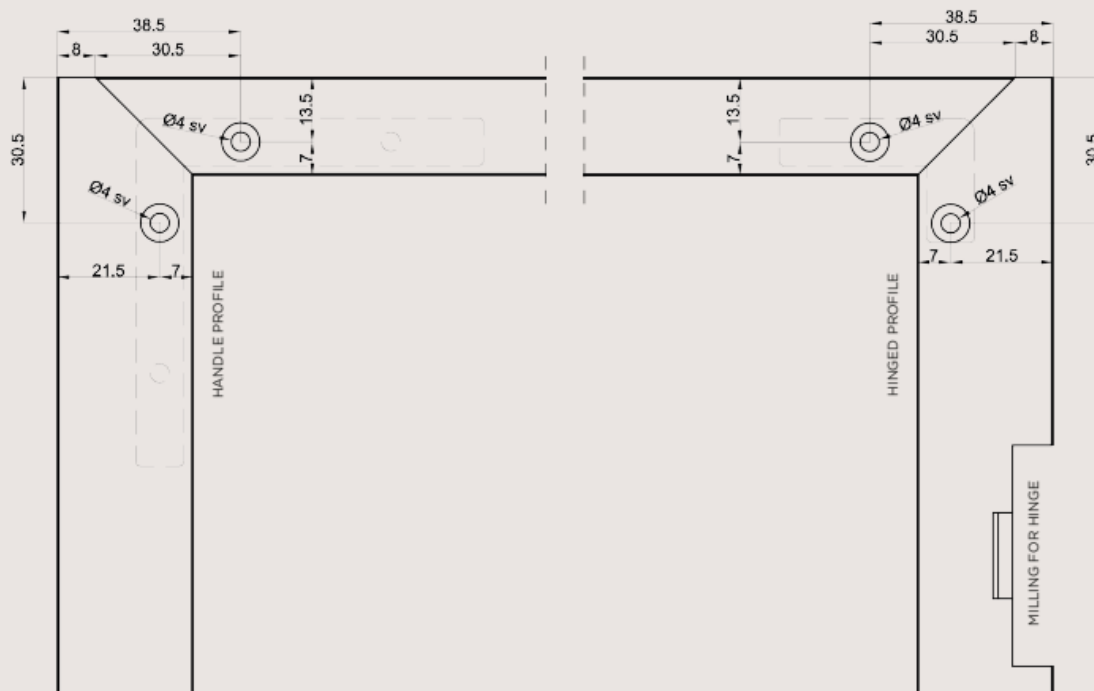
GLASS DIMENSION:

- DOOR HEIGHT MINUS 5MM
- DOOR WIDTH MINUS 21MM
- GLASS THICKNESS 4MM

how to fix the Glix 3.0 hinge external mounting on the profile HANDLE PROFILE

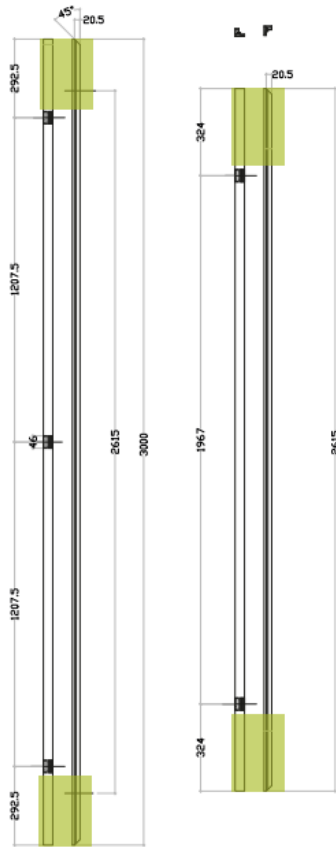


technical assembling information

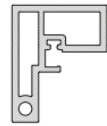


SPECIAL HINGED DOORS SYSTEMS | GLIX LIGHT ALUMINIUM PROFILES FOR DOORS

CUTTABLE HINGED PROFILE WITH SOFT CLOSING ASSEMBLED

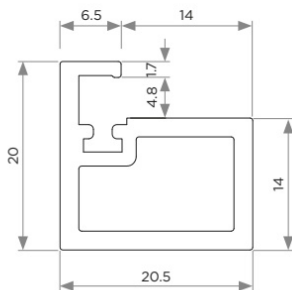


ITEM	FINISHING	LENGTH (mm)	CUTTABLE (mm)	BOX
TA-2688	Brown Metal Grey	3000	453	8



Cuttable part

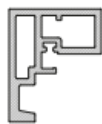
TOP AND BOTTOM HORIZONTAL PROFILE



ITEM	FINISHING	LENGTH (mm)	BOX
TA-2304	Brown Metal Grey	3000	8

ITEM	FINISHING	LENGTH (mm)	BOX (mtl)
TA-2305	Rubber gasket for Glis profile	2600	26

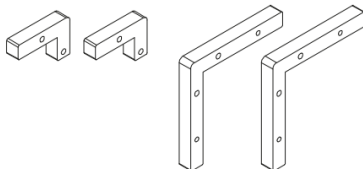
CUTTABLE HANDLE PROFILE



ITEM	FINISHING	LENGTH (mm)	BOX
TA-2682.BMG	Brown Metal Grey	3000	8

ITEM	SPECIFICATIONS	LENGTH (mm)	BOX (mtl)
TA-2305	Rubber gasket for Glix profile	2600	26

KIT OF CONNECTING FITTINGS



ITEM	SPECIFICATIONS	BOX
TA-2306	Kit composed by 2 small connecting plates, 2 big connecting plates and 8 screws M4x10	40

CUSTOM-SIZE DOOR FRAME



CUSTOM-SIZE DOOR FRAME - ORDER TEMPLATE

Customer Name: _____ **Date of order:** _____

Finishing: _____ **Min Order: 20pcs per measure**

ITEM	MEASURE (mm)	INDICATION
DOOR HEIGHT		Minimum 450mm / Maximum 3000mm
DOOR WIDTH		Minimum 250mm / Maximum 600mm

GLIX ALUMINIUM PROFILES FOR DOORS

03.1 Glix hinges 3.0 external mounting

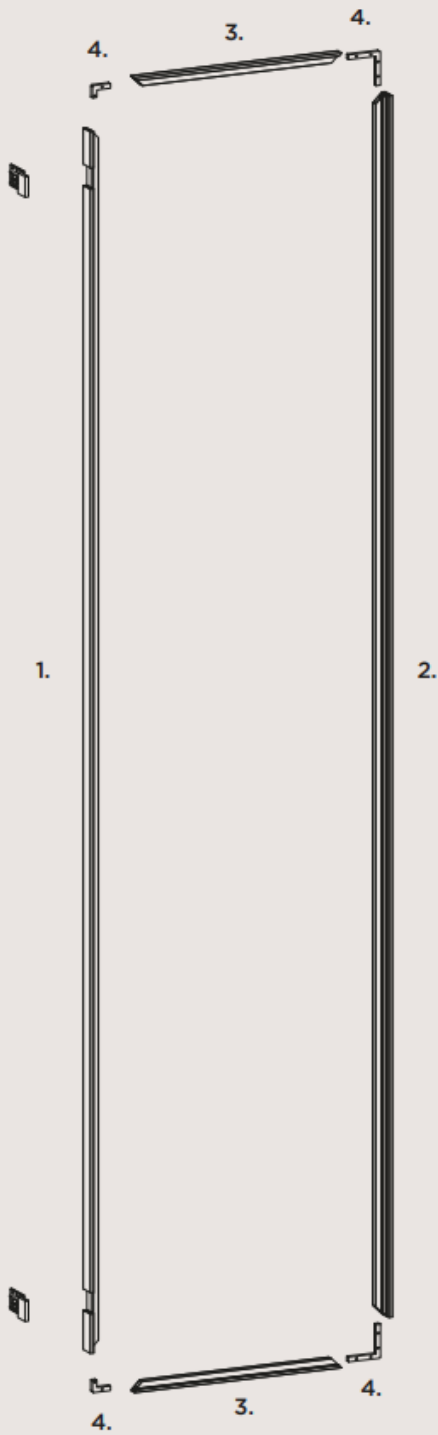
03.2 Glix hinges recessed mounting

03.3 Glix light aluminium profiles for doors

03.4 Glix aluminium profiles for doors

03.5 Recessed hinges and profiles

03.6 Recessed hinges with load capacity 30Kg and profiles



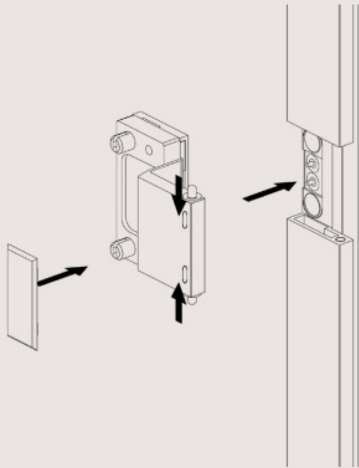
DOOR KIT COMPOSITION:

- 1. ALUMINIUM PROFILE MILLED FOR HINGES
- 2. ALUMINIUM HANDLE PROFILE
- 3. HORIZONTAL ALUMINIUM PROFILES
- 4. CONNECTING FITTINGS WITH SCREWS

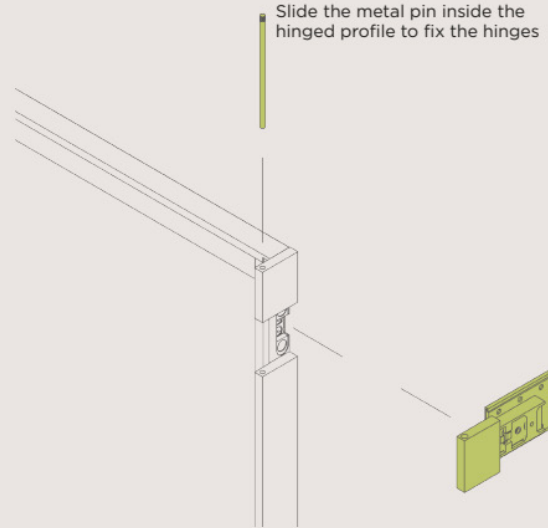
GLASS DIMENSION:

- DOOR HEIGHT MINUS 5MM
- DOOR WIDTH MINUS 21MM
- GLASS THICKNESS 4MM

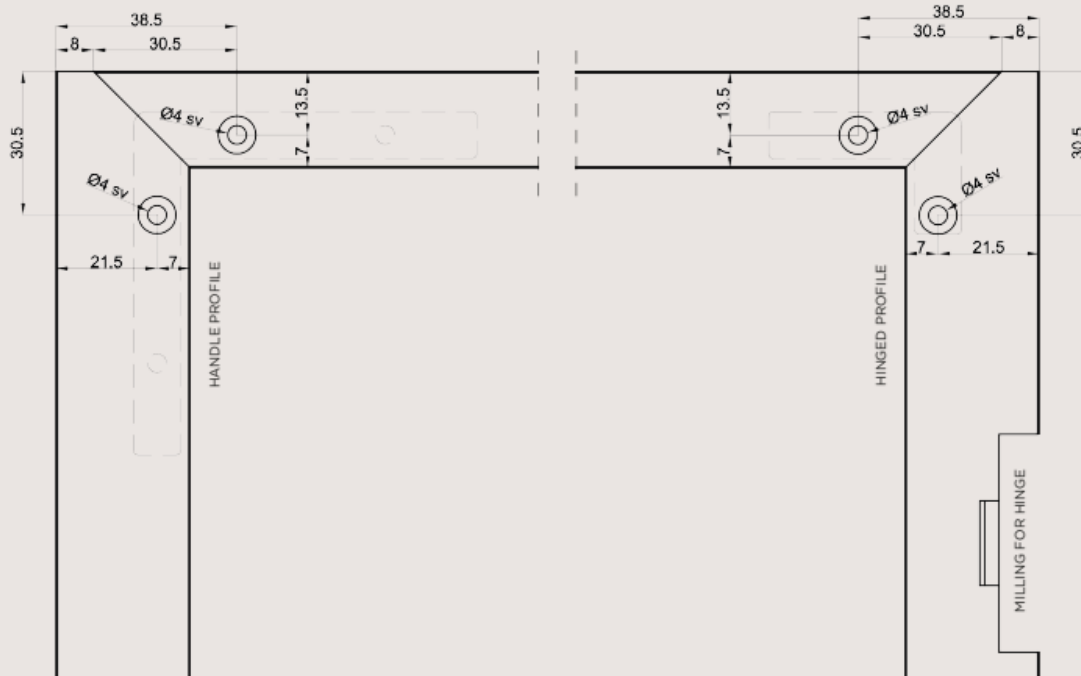
how to fix the Glix 3.0 hinge external mounting on the profile



how to fix the Glix hinge recessed mounting hinge on the profile

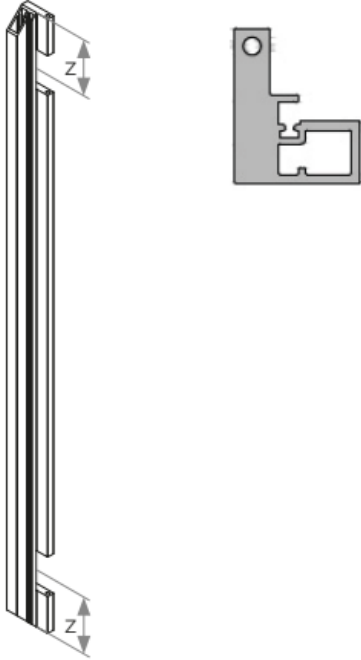


technical assembling information



SPECIAL HINGED DOORS SYSTEMS | GLIX ALUMINIUM PROFILES FOR DOORS

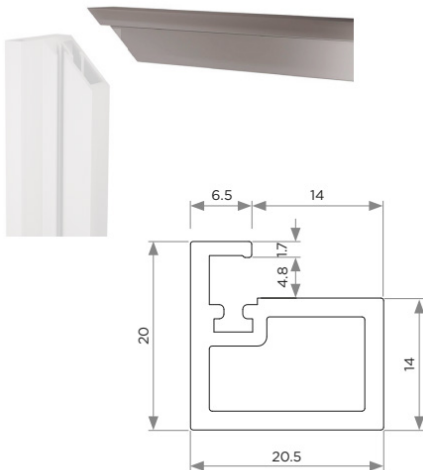
HINGED PROFILE WITH SOFT CLOSING ASSEMBLED



ITEM	FINISHING	LENGTH (mm)	WARDROBE HEIGHT (mm)	Z (mm)	BOX
TA-3711.24	Brown Metal Grey	2423	2457	100	8
TA-3711.26	Brown Metal Grey	2615	2649	100	8

Rubber gasket included.

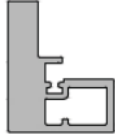
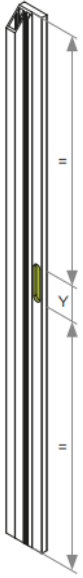
TOP AND BOTTOM HORIZONTAL PROFILE



ITEM	FINISHING	LENGTH (mm)	BOX
TA-2304	Brown Metal Grey	3000	8

ITEM	FINISHING	LENGTH (mm)	BOX (mtl)
TA-2305	Rubber gasket for Glix profile	2600	26

HANDLE PROFILE

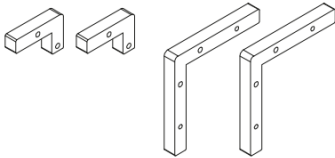


The milling for handle is always in the center of the profile.

ITEM	FINISHING	LENGTH (mm)	WARDROBE HEIGHT (mm)	Y (mm)	BOX
TA-3712.24	Brown Metal Grey	2423	2457	400	8
TA-3712.26	Brown Metal Grey	2615	2649	400	8

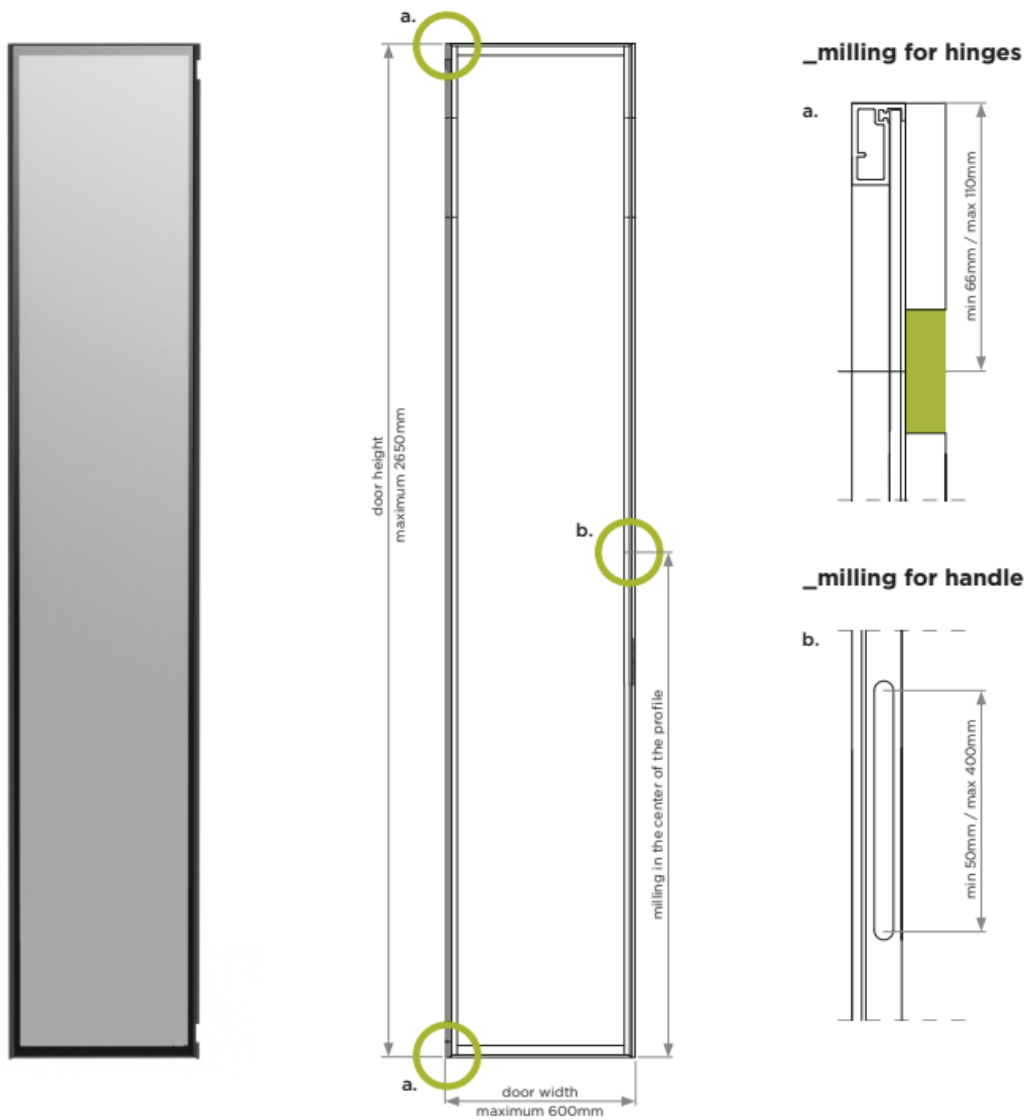
Rubber gasket included.

KIT OF CONNECTING FITTINGS



ITEM	SPECIFICATIONS	BOX
TA-2306	Kit composed by 2 small connecting plates, 2 big connecting plates and 8 screws M4x10	40

CUSTOM-SIZE DOOR FRAME



CUSTOM-SIZE DOOR FRAME - ORDER TEMPLATE

Customer Name: _____ Date of order: _____

Finishing: _____ Min Order: **20pcs per measure**

ITEM	MEASURE (mm)	INDICATION
DOOR HEIGHT		Minimum 450mm / Maximum 2650mm
DOOR WIDTH		Minimum 250mm / Maximum 600mm
MILLING FOR HANDLE		Minimum 50mm / Maximum 400mm
MILLING FOR HINGES		Minimum 66mm / Maximum 110mm from the edge of the profile

RECESSED HINGES AND PROFILES

03.1 Glix hinges 3.0 external mounting

03.2 Glix hinges recessed mounting

03.3 Glix light aluminium profiles for doors

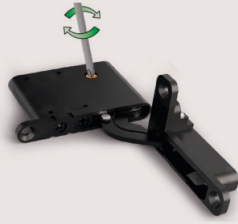
03.4 Glix aluminium profiles for doors

03.5 Recessed hinges and profiles

03.6 Recessed hinges with load capacity 30Kg and profiles

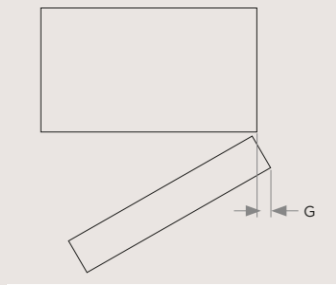
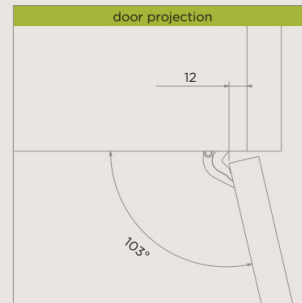
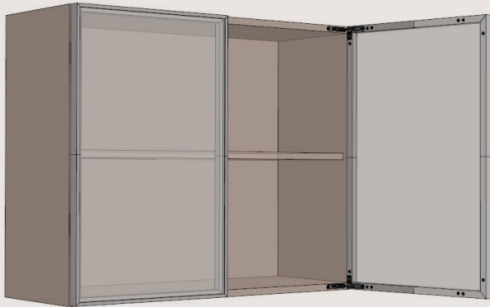


recessed hinges



DAMPER EXCLUSION:
possibility of excluding the damper function

opening angle



G = rotating space

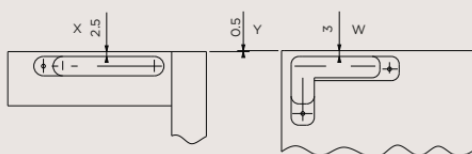
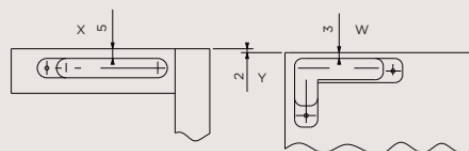
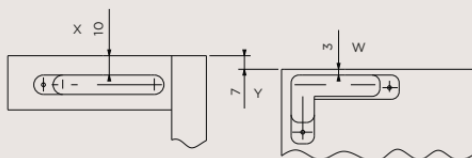
DOOR THICKNESS (mm)

	18	20	22	24	26	28	30	32
D3	0.0	0.2	0.5	0.9	1.4	2.1	3.1	4.7
D4	0.0	0.2	0.5	0.9	1.4	2.0	2.9	4.2
D5	0.0	0.2	0.5	0.8	1.3	2.0	2.8	3.9
D6	0.0	0.2	0.5	0.8	1.3	1.9	2.7	3.7

The space required can be reduced according to the radius of door edges.

hinges application

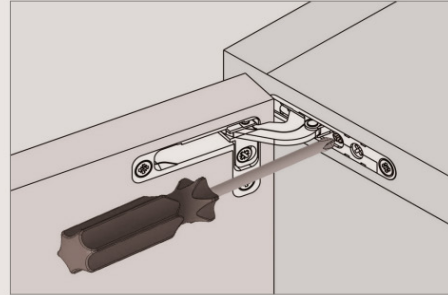
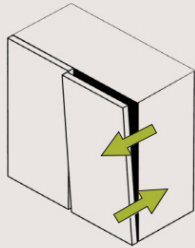
$$Y = (X - W) \quad W = (X - Y) \quad X = (W + Y)$$



3D adjustments

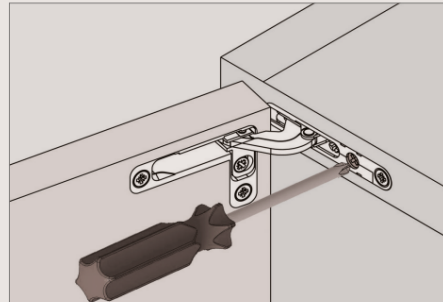
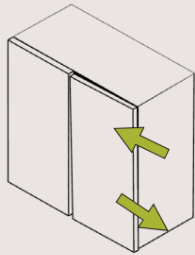
front adjustment

+ 2mm / - 0.5mm



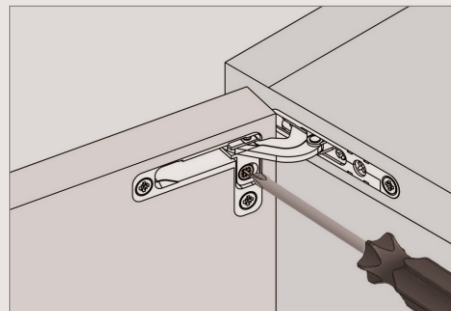
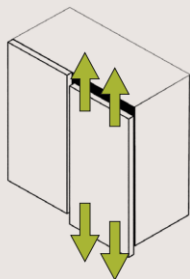
lateral adjustment

+ 2mm / - 2mm



vertical adjustment

+ 1.5mm / - 1.5mm



■ RECESSED HINGES



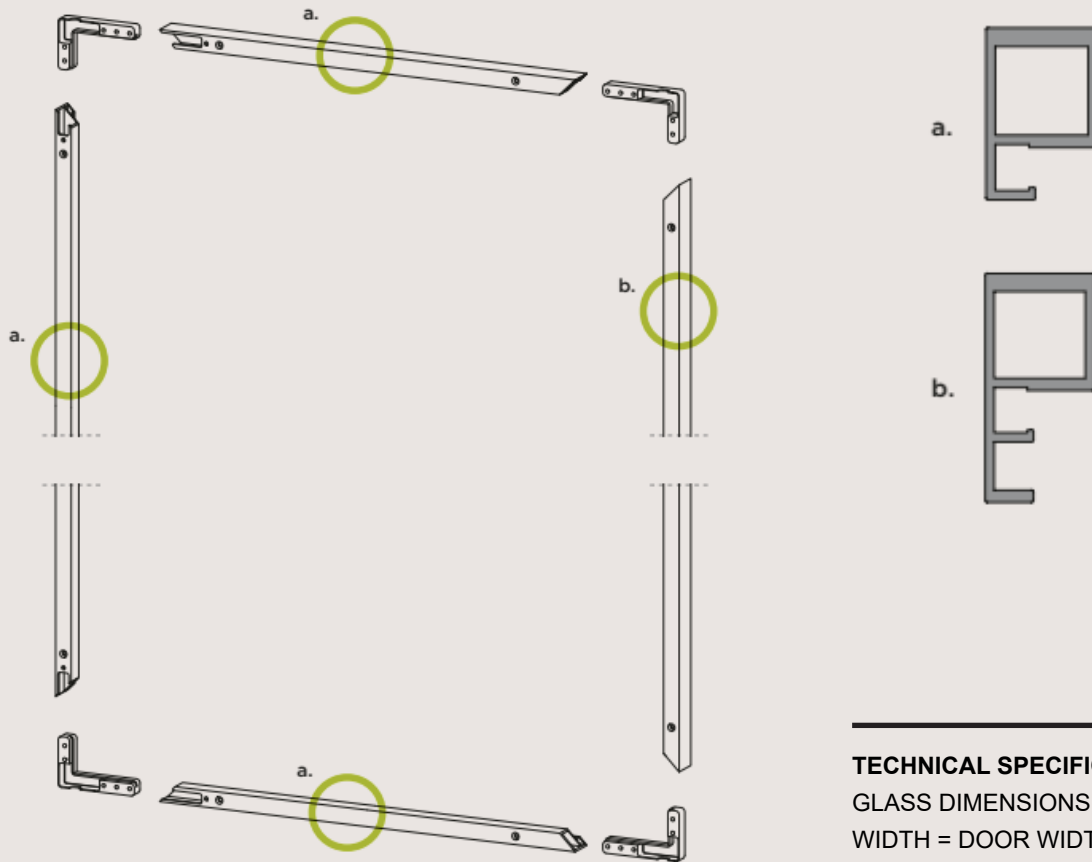
RECESSED HINGES WITH INTEGRATED SOFT CLOSING

ITEM	SPECIFICATIONS	FINISHING	BOX
TA-2441.R	Right	Black	100
TA-2441.L	Left	Black	100

RECESSED HINGES PUSH TO OPEN

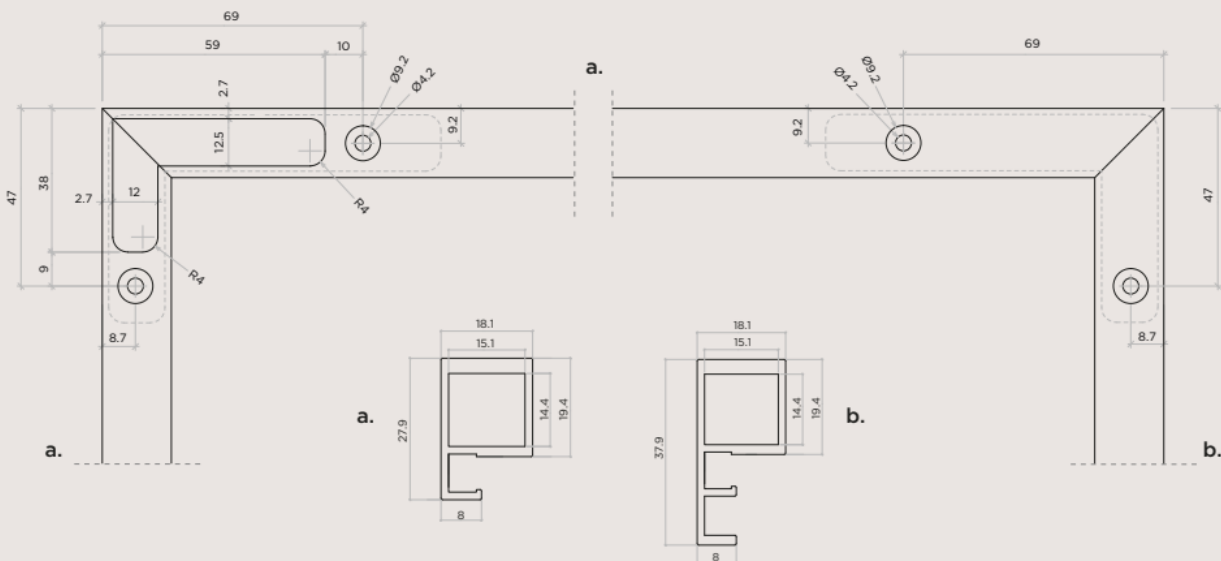
ITEM	SPECIFICATIONS	FINISHING	BOX
TA-2444.R	Right	Black	100
TA-2444.L	Left	Black	100

aluminium profiles for glass door: application with hinged profile and handle profile

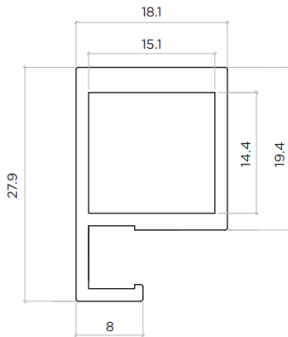


TECHNICAL SPECIFICATIONS:
GLASS DIMENSIONS:
WIDTH = DOOR WIDTH -6 mm
HEIGHT = DOOR HEIGHT -6 mm

technical information



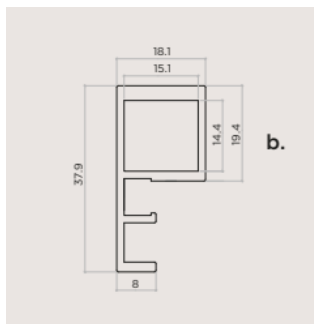
■ ALUMINIUM PROFILES



ITEM	FINISHING	LENGTH (mm)	BOX
TA-2442.BMG	Brown Metal Grey	3000	4

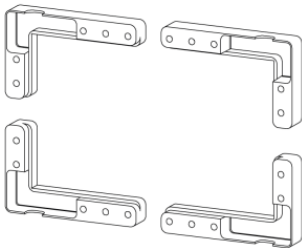
Other measures available on request.

ITEM	SPECIFICATIONS	LENGTH (mm)	BOX
TA-2508.04	Rubber gasket for glass 4mm	3000	50
TA-2508.05	Rubber gasket for glass 5mm	3000	50



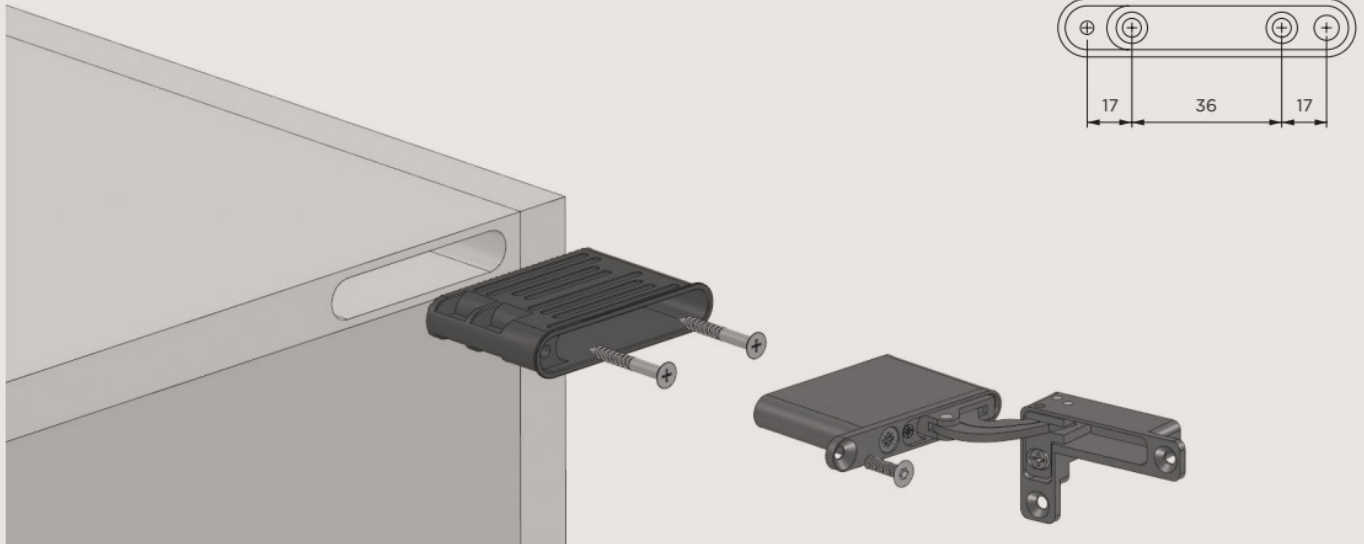
ITEM	FINISHING	LENGTH (mm)	BOX
TA-2480.BMG	Brown Metal Grey	3000	4

CORNER CONNECTORS FOR ALUMINIUM DOOR



ITEM	SPECIFICATIONS	BOX
TA-2443	Kit composed by 2 right and 2 left brackets. 18 screws M4x12 black oxide and 18 screws M4x12 nickel plated.	25

fixing support for top and bottom panels (optional)



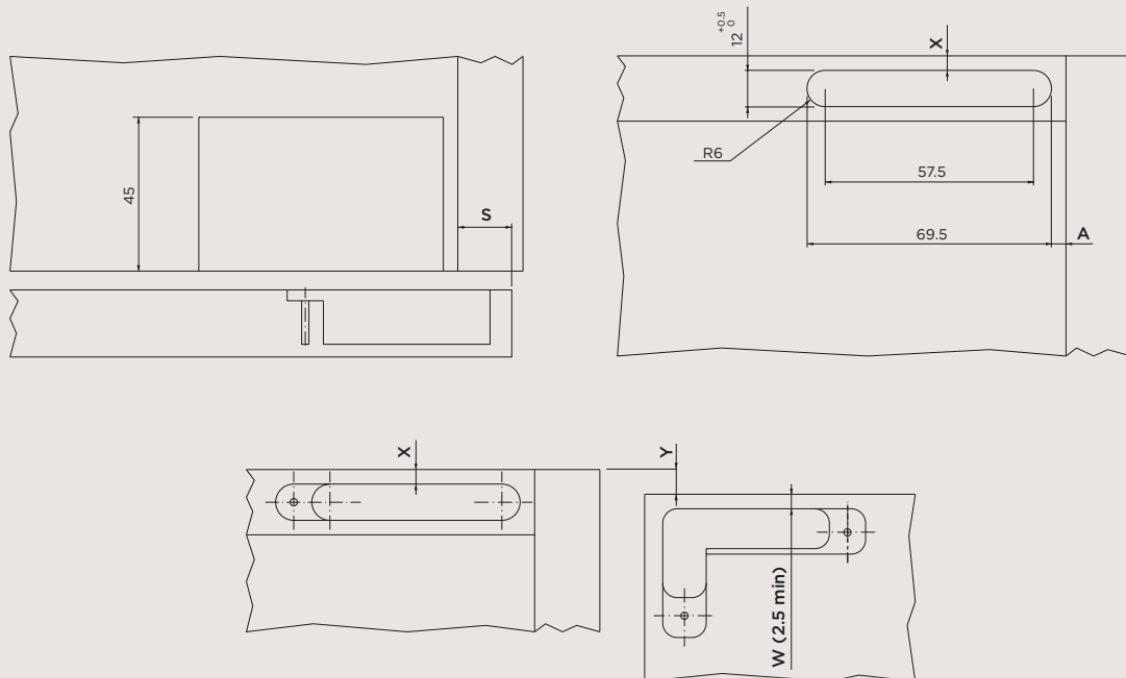
top and bottom panel drilling for fixing support

$$A = (16 + D) - S$$

$$Y = (X - W)$$

$$W = (X - Y)$$

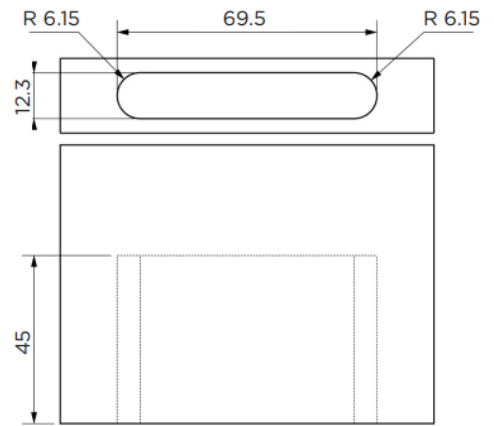
$$X = (W + Y)$$



FIXING SUPPORT (OPTIONAL)



ITEM	FINISHING	LENGTH (mm)	BOX
TA-1068.BL	Black	3000	4



RECESSED HINGES WITH LOAD CAPACITY 30 KG AND PROFILES

03.1 Glix hinges 3.0 external mounting

03.2 Glix hinges recessed mounting

03.3 Glix light aluminium profiles for doors

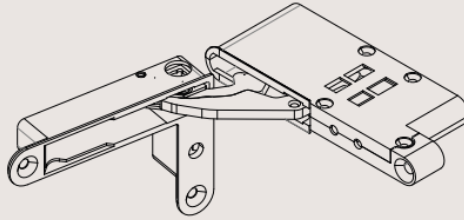
03.4 Glix aluminium profiles for doors

03.5 Recessed hinges and profiles

03.6 Recessed hinges with load capacity 30Kg and profiles



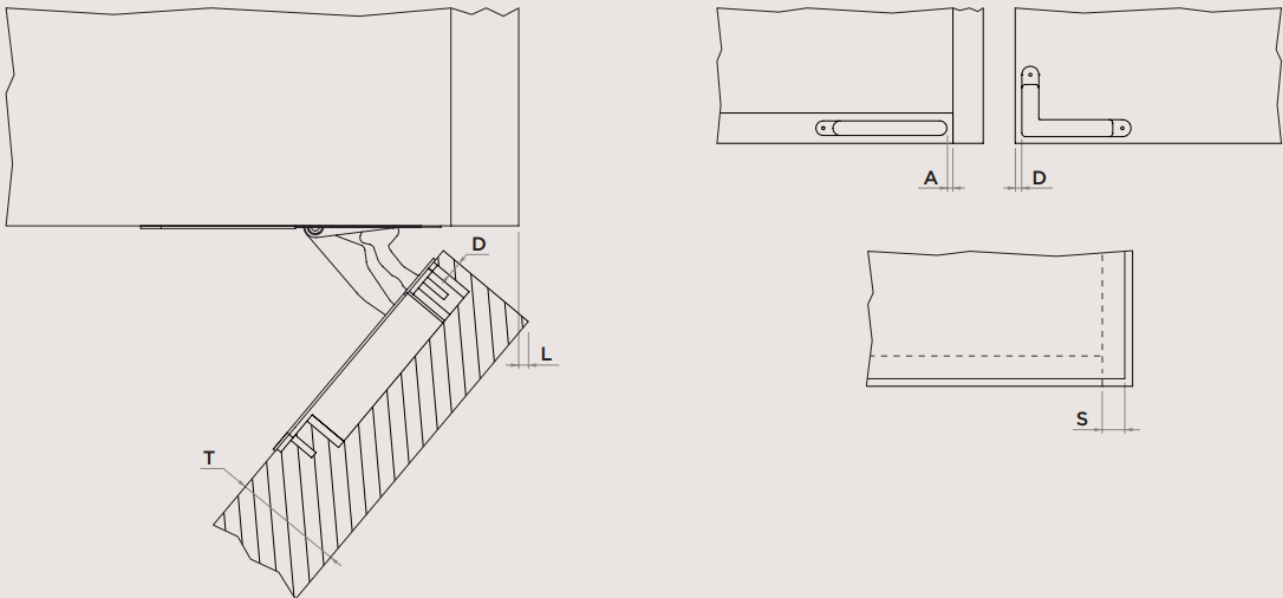
recessed hinges 30Kg



door opening space requirements

$A = (22.5 + D) - S$

$S_{max} = 26.5\text{mm} (T = 20)$

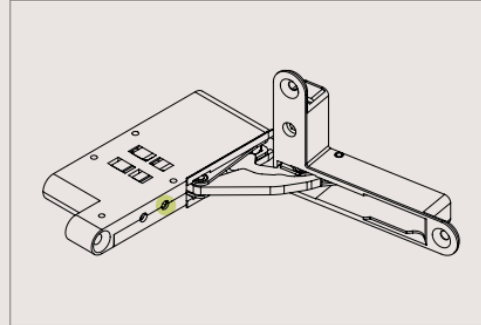
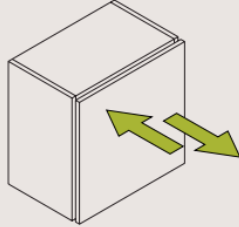


	T=20	T=22	T=24	T=26	T=28	T=30	T=32	T=34	T=36	T=38	T=40
L (D=3)	-	-	-	-	-	0.5	1	1.8	2.9	4.3	5.8
L (D=4)	-	-	-	-	0.2	0.5	1	1.8	2.8	4	5.5
L (D=5)	-	-	-	-	0.2	0.5	1	1.6	2.6	3.8	5.1
L (D=6)	-	-	-	-	0.2	0.5	1	1.6	2.5	3.6	4.8
L (D=7)	-	-	-	-	0.2	0.5	1	1.6	2.1	3.3	4.6

3D adjustments

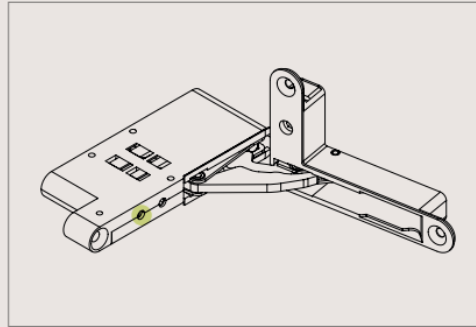
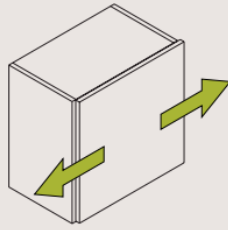
front adjustment

+ 2mm / - 0.5mm



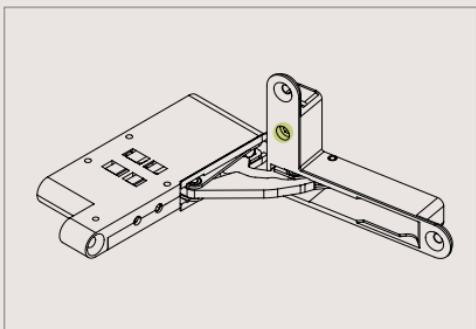
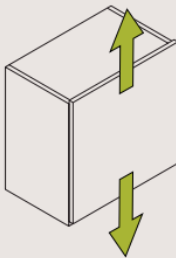
lateral adjustment

± 2mm



vertical adjustment

± 2mm



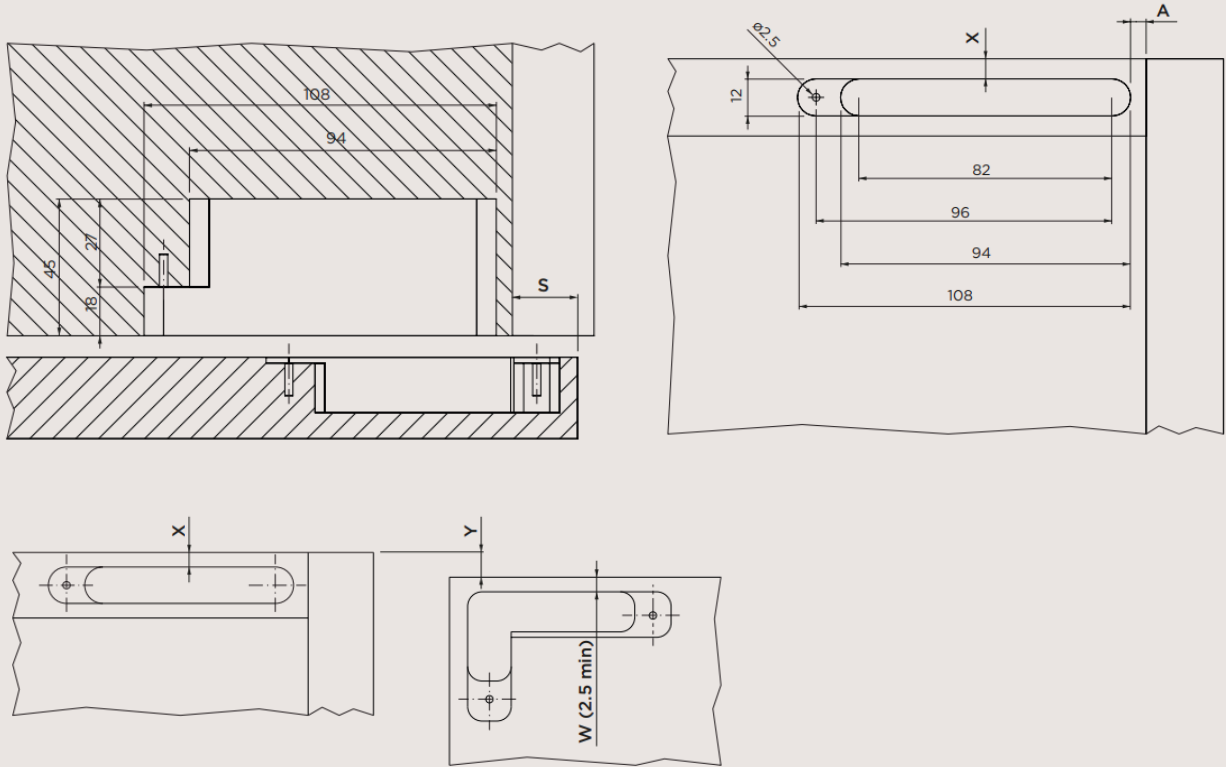
milling on top and bottom panels

$$A = (22.5 + D) - S$$

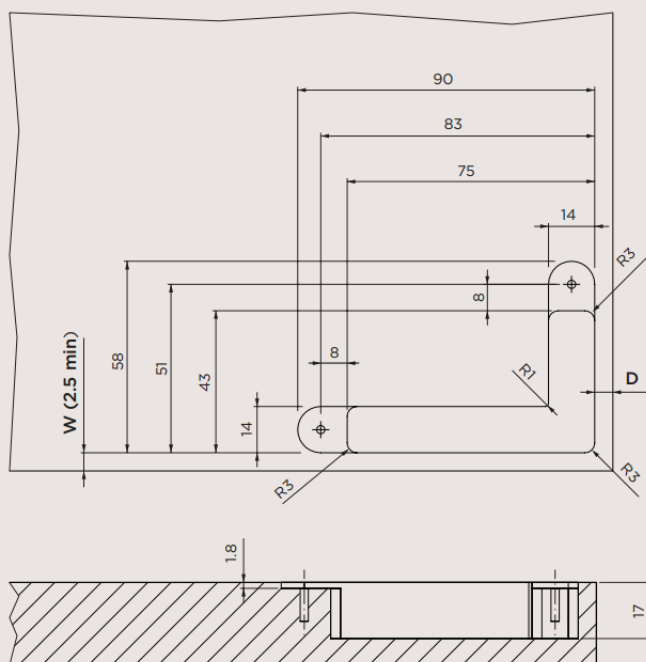
$$Y = (X - W) - 1$$

$$W = (X - Y) - 1$$

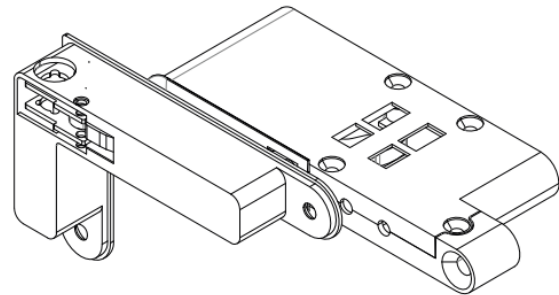
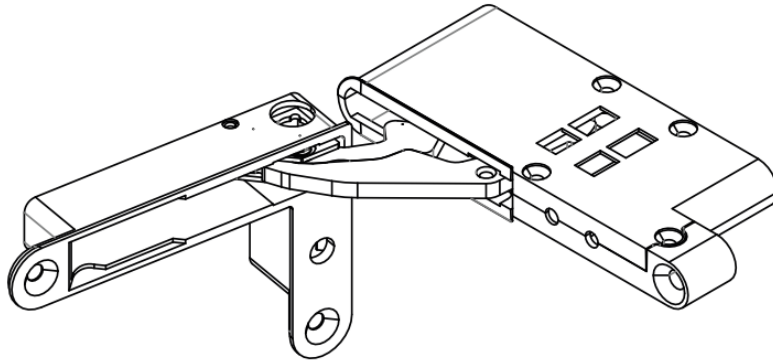
$$X = (W + Y) + 1$$



milling on wooden door



■ RECESSED HINGES WITH INTEGRATED SOFT CLOSING 30KG



TECHNICAL SPECIFICATIONS:

MAXIMUM DOOR WEIGHT 30KG

DOOR'S THICKNESS FROM 20MM UP TO 40MM

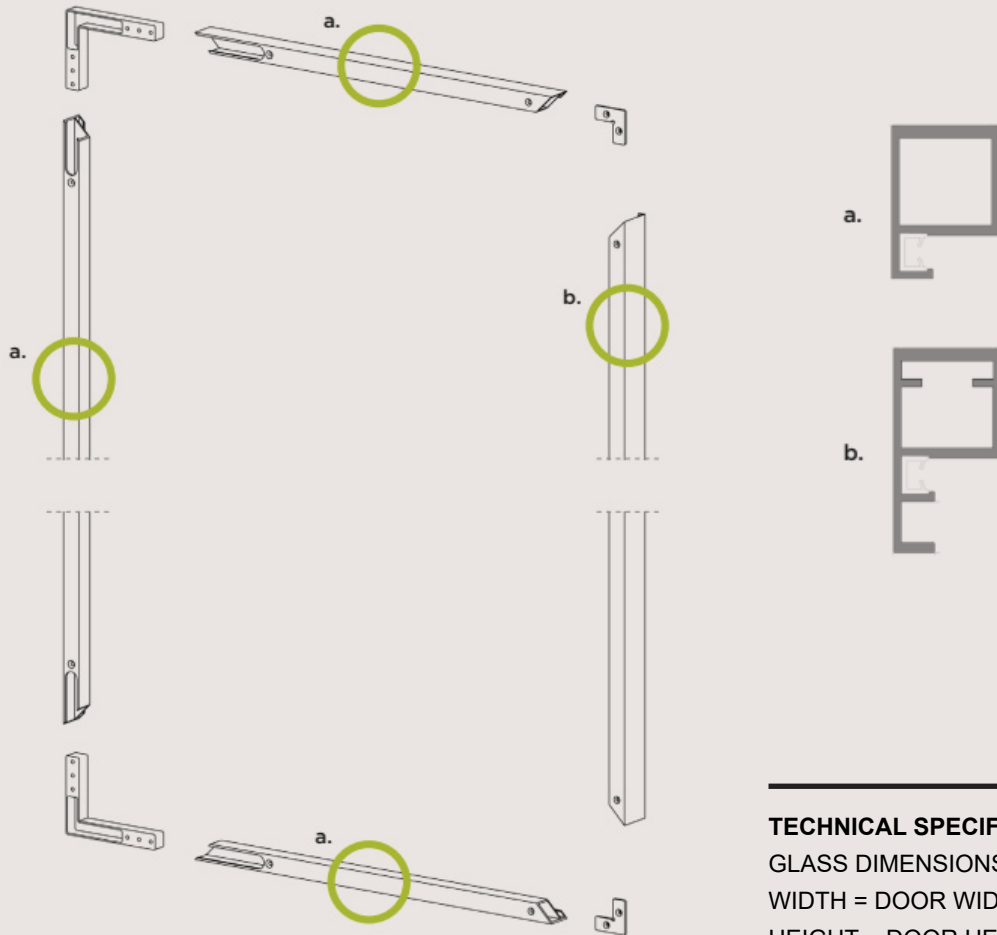
SOFT CLOSING INTEGRATED

DOOR'S OPENING ANGLE 100°

MINIMUM THICKNESS OF TOP/BOTTOM PANELS: 25MM

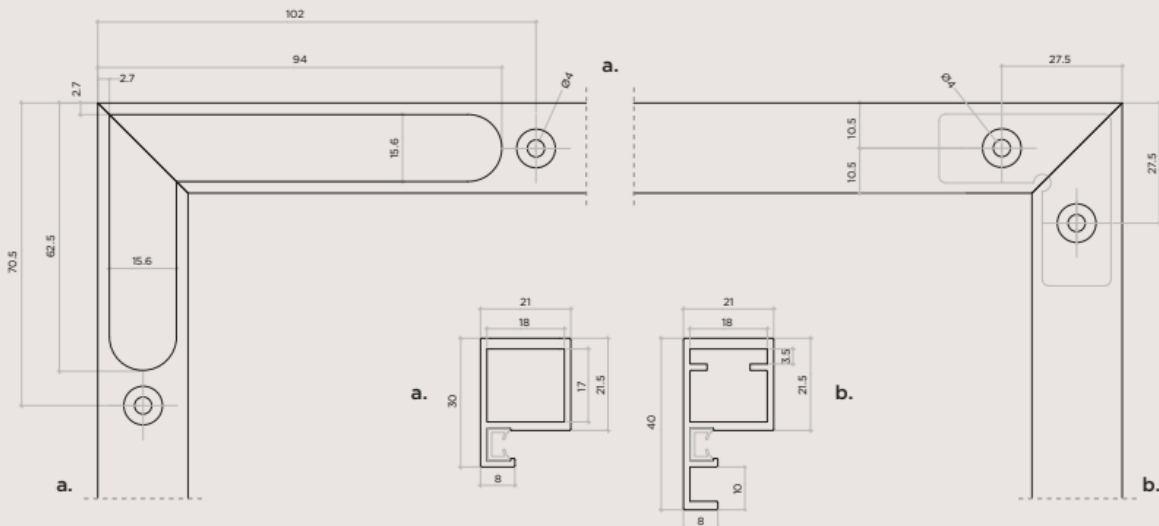
ITEM	SPECIFICATIONS	FINISHING	BOX
TA-2445.R	Right	Black	30
TA-2445.L	Left	Black	30

aluminium profiles for glass door: application with hinged profile and handle profile

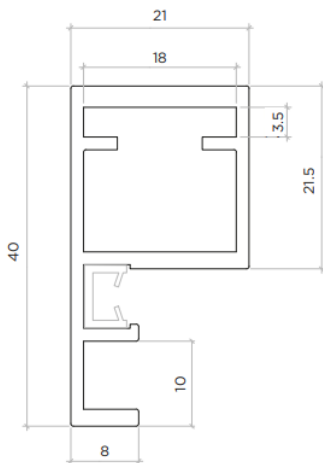
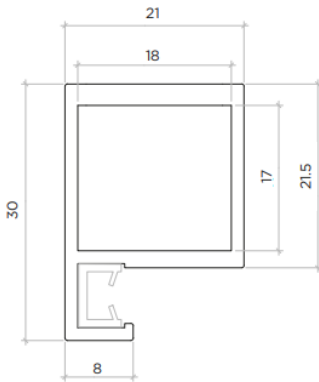


TECHNICAL SPECIFICATIONS:
GLASS DIMENSIONS:
WIDTH = DOOR WIDTH -6 mm
HEIGHT = DOOR HEIGHT -6 mm

technical information



ALUMINIUM PROFILES



ITEM	FINISHING	LENGTH (mm)	BOX
TA-2450	Brown Metal Grey	3000	4

Other measures available on request.

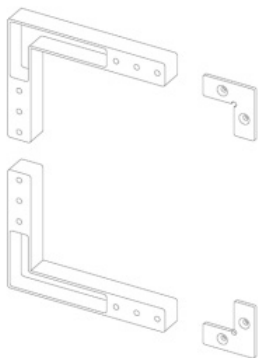
ITEM	FINISHING	LENGTH (mm)	BOX
TA-2508.04	Rubber gasket for glass 4mm	3000	50
TA-2508.05	Rubber gasket for glass 5mm	3000	50

ITEM	FINISHING	LENGTH (mm)	BOX
TA-2451	Brown Metal Grey	3000	4

Other measures available on request.

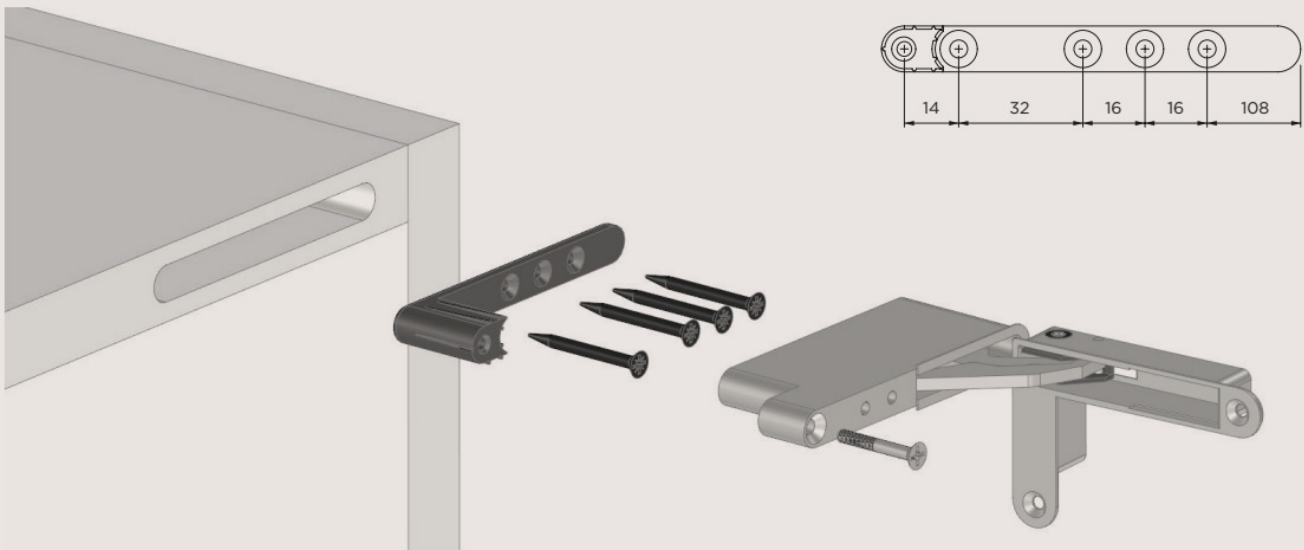
ITEM	FINISHING	LENGTH (mm)	BOX
TA-2508.04	Rubber gasket for glass 4mm	3000	50
TA-2508.05	Rubber gasket for glass 5mm	3000	50

CORNER CONNECTORS FOR ALUMINIUM DOOR



ITEM	SPECIFICATIONS	BOX
TA-2448	Kit composed by 1 big bracket left, 1 big bracket right and 2 small brackets. 14 screws M4x12 black oxid and 14 screws M4x12 nickel plated.	30

fixing support for top and bottom panels (optional)



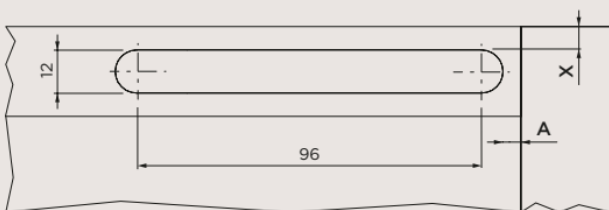
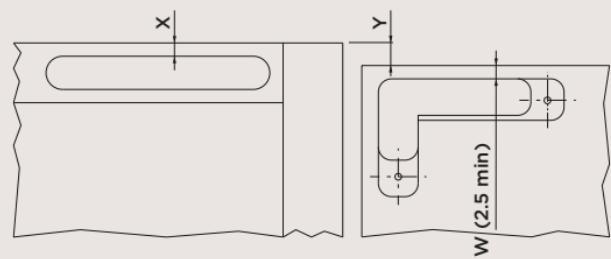
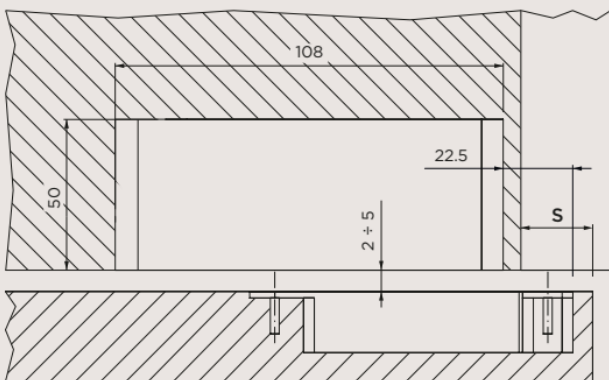
top and bottom panel drilling for fixing support

$$A = (22.5 + D) - S$$

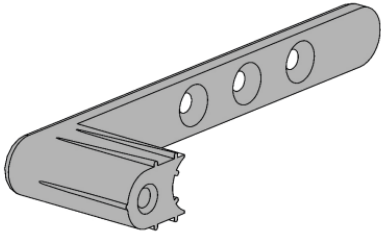
$$Y = (X - W) - 1$$

$$W = (X - Y) - 1$$

$$X = (W + Y) + 1$$



FIXING SUPPORT (OPTIONAL)



ITEM	SPECIFICATIONS	LENGTH (mm)	BOX
TA-2449	Set of left and right	120	60

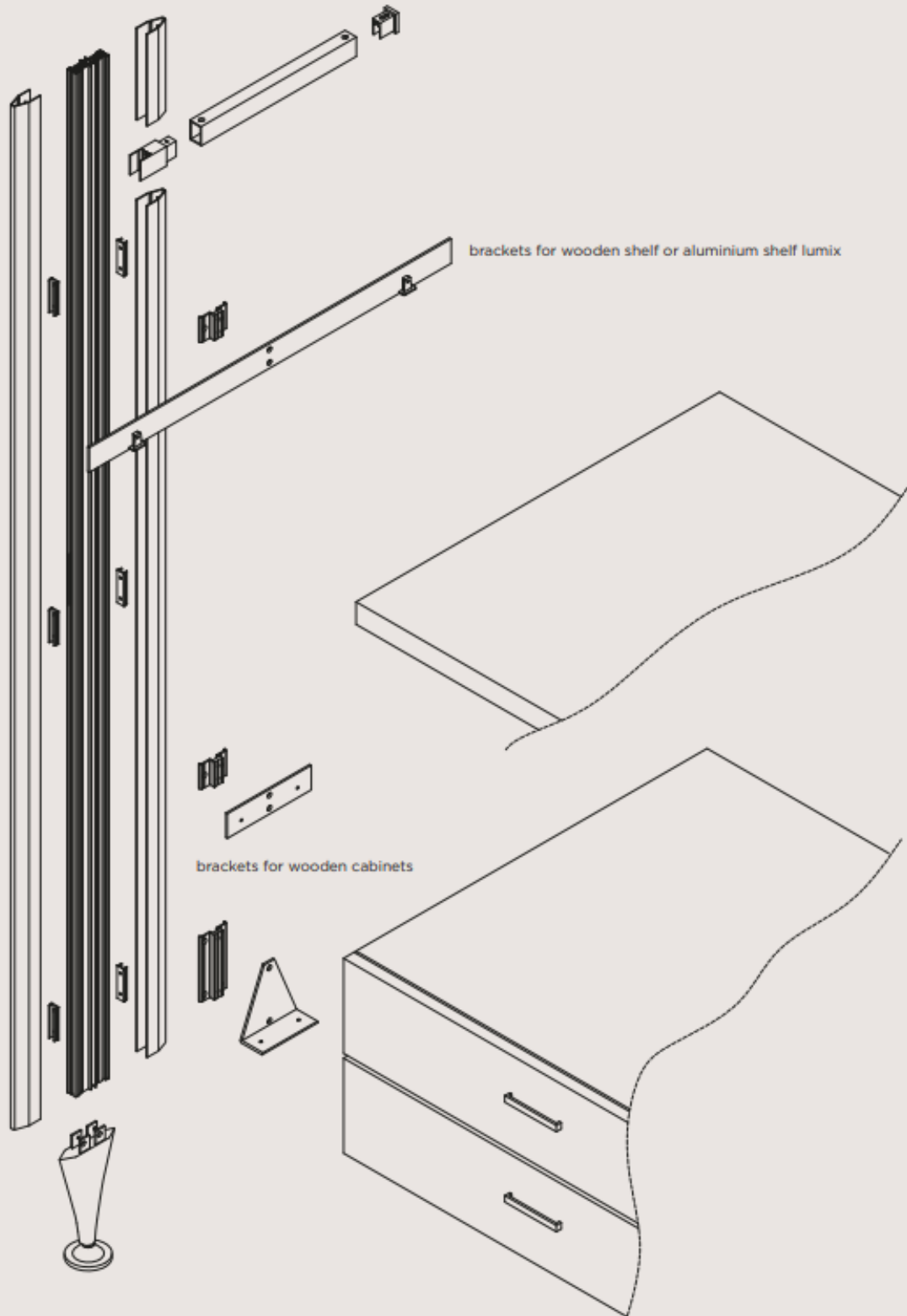
MIXER SLIM

05.1 Mixer round

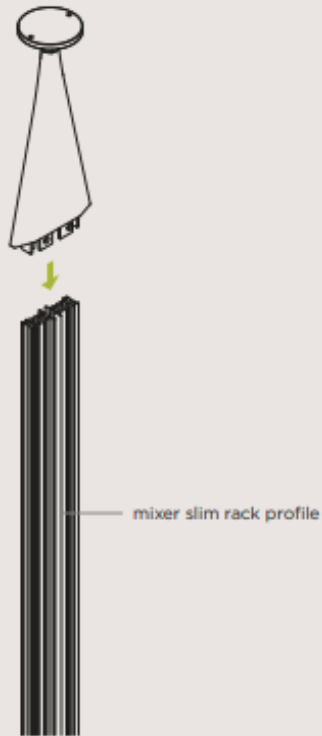
05.2 Mixer slim



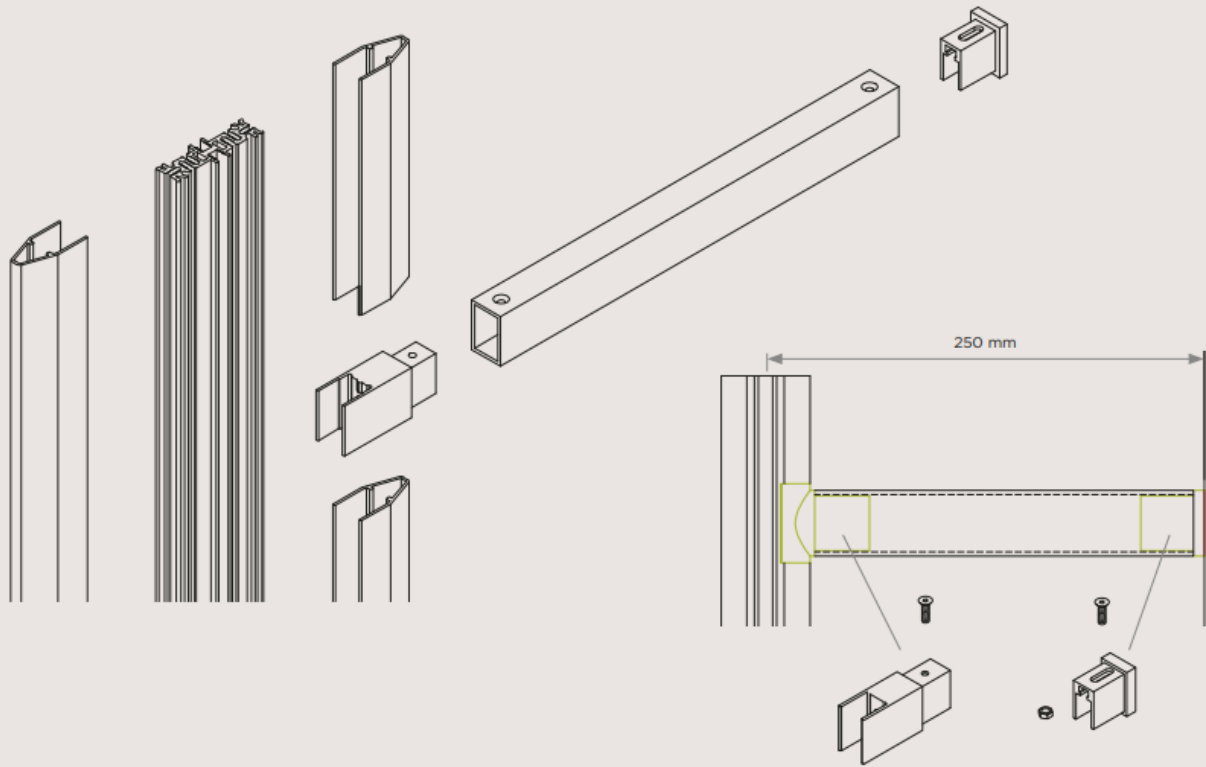
mixer slim



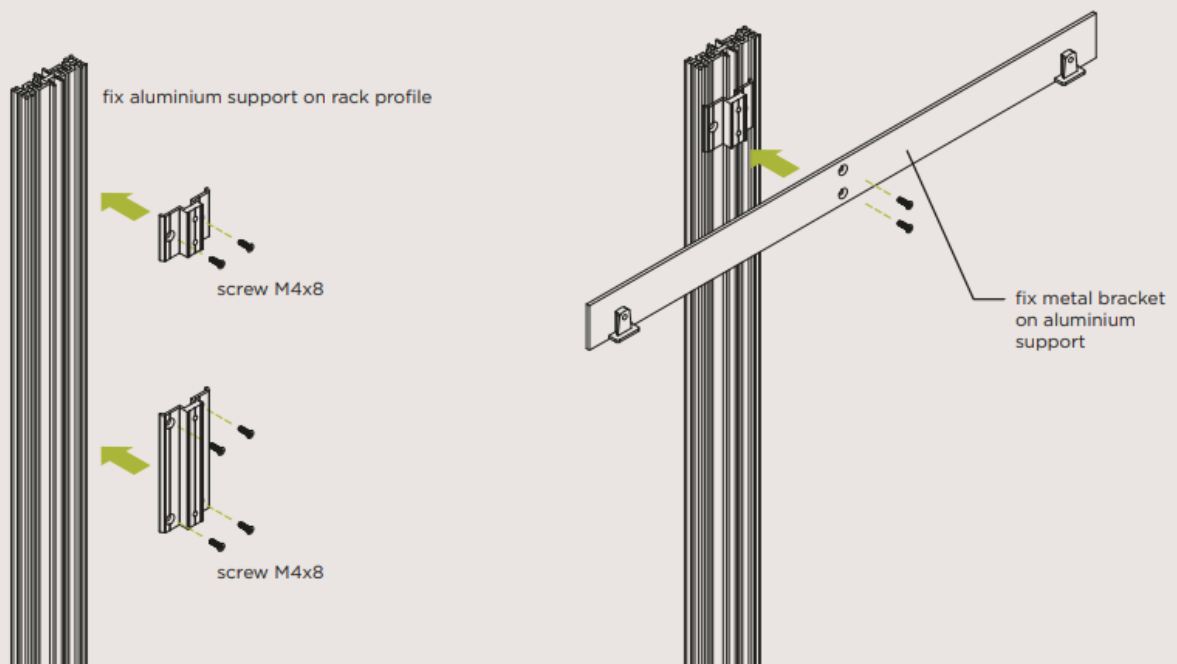
top and bottom adjustable terminal



horizontal fixation for wall mounting with adjustment



fixation of brackets on rack profile

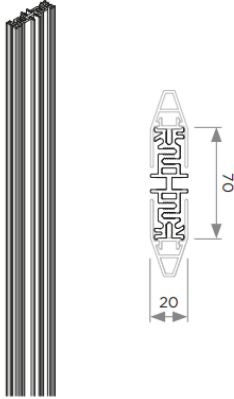


aluminium carter for mixer slim



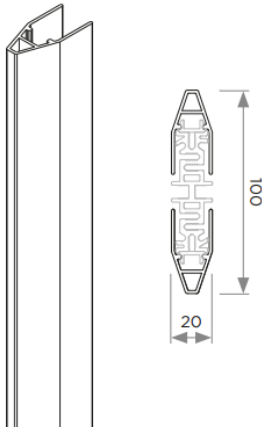
■ MIXER SLIM

VERTICAL RACK PROFILE



ITEM	FINISHING	LENGTH (mm)	BOX
TA-2901.BL	Black Anodized	3000	4

ALUMINIUM CARTER



ITEM	FINISHING	LENGTH (mm)	BOX
TA-2902.BMG	Brown Metal Grey	3000	8

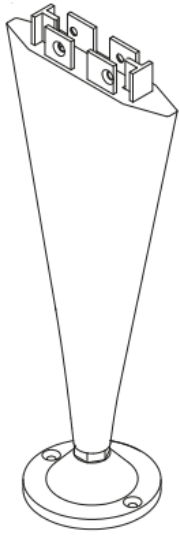
SET OF PLASTIC CLIPS FOR ALUMINIUM CARTER



ITEM	SPECIFICATIONS	BOX
TA-2903	Kit composed by 10 plastic clips and 20 screws TCB 3.5 x 9.5	50

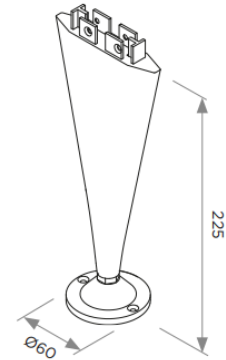
BOOKCASE SYSTEMS | MIXER SLIM

TOP AND BOTTOM TERMINAL WITH ADJUSTMENT

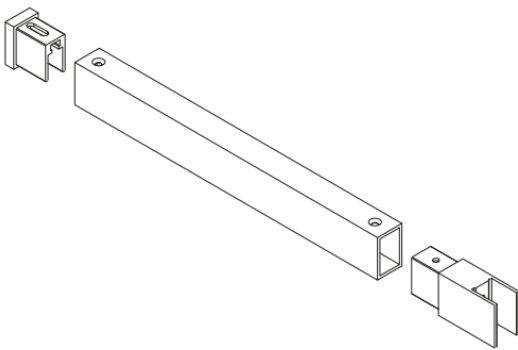


ITEM	FINISHING	LENGTH (mm)	BOX
TA-2904	Brown Metal Grey	225	8

Screws for fix leveler on rack profile included

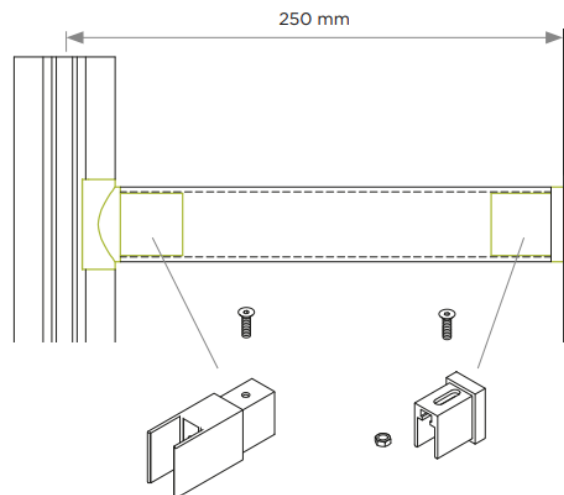


SET OF HORIZONTAL FIXATION FOR WALL MOUNTING

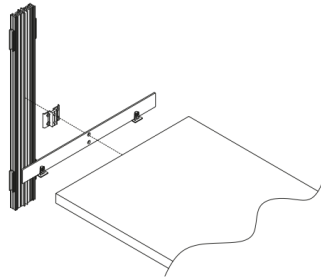


ITEM	FINISHING	LENGTH (mm)	BOX
TA-2905	Brown Metal Grey	250	4

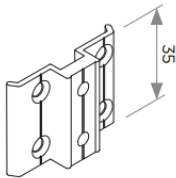
Screws and not included



■ UNIVERSAL BRACKETS FOR WOODEN AND ALUMINIUM SHELVES

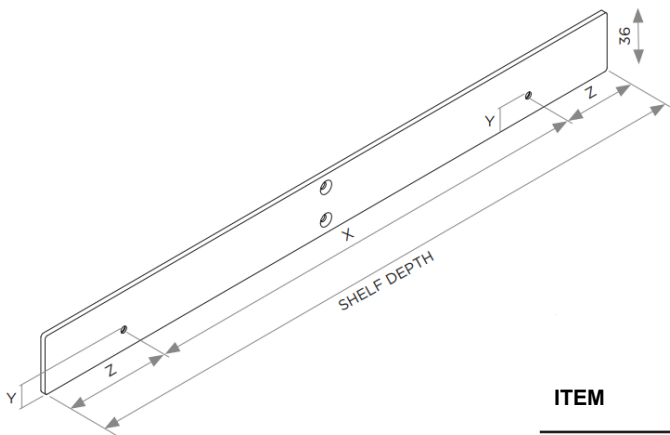


ALUMINIUM SUPPORT H35



ITEM	SPECIFICATIONS	BOX
TA-2906.BMG	Kit composed by 1 aluminium support with 6 screws M4x8	50

UNIVERSAL BRACKET FOR WOODEN AND ALUMINIUM SHELVES

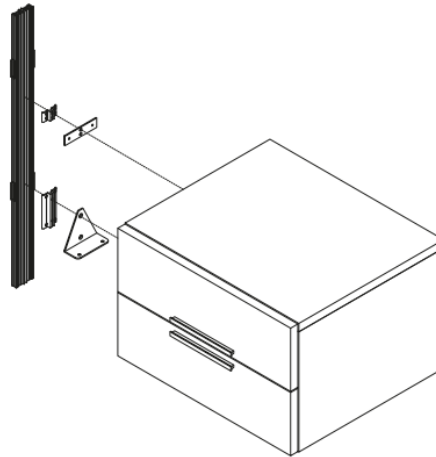


SHELF DEPTH 400(mm)

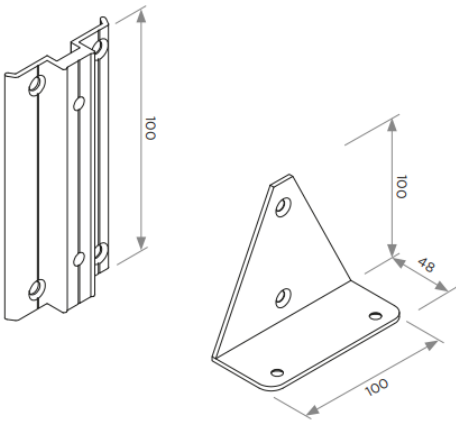
X	Y	Z
288	12.5	56

ITEM	FINISHING	LENGTH (mm)	BOX
TA-2907	Brown Metal Grey	400	4

■ CABINET BRACKETS



ALUMINIUM SUPPORT H100

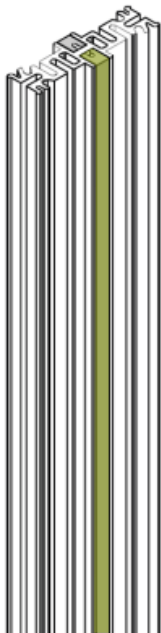


ITEM	SPECIFICATIONS	BOX
TA-2908.BMG	Kit composed by 1 aluminium support with 4 screws M4x8 and 2 screws M6x8	50

CABINET BRACKET

ITEM	FINISHING	LENGTH (mm)	BOX
TA-2909.BMG	Brown Metal Grey	100	25

■ LED



Designed for installation of led having 6.5 mm width and 8 mm depth. Length can be adapted to your needs, with a maximum of 3000 mm

PROSOL

we deliver quality!

PROFESSIONAL ASSISTANCE GROUP

Delhi Office :
4/24, West Patel Nagar,
New Delhi - 110008.

Design Centre :
Tower-1 -107, DLF Corporate Greens,
Sector 74A, Gurgaon - 122004.

Email : sales@pagonline.co.in | Web : www.pro-sol.in
Mobile : +91 7982753826, 9868183982