

PROSOL[®]
we deliver quality!

GLIX ALUMINIUM
PROFILES FOR DOORS



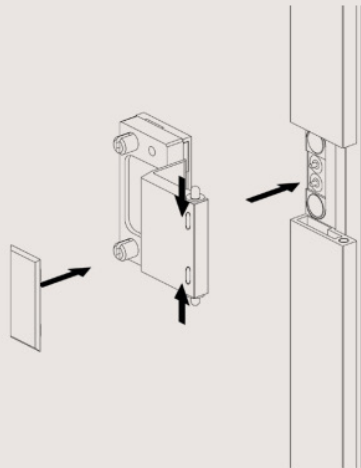
DOOR KIT COMPOSITION:

1. ALUMINIUM PROFILE MILLED FOR HINGES
2. ALUMINIUM HANDLE PROFILE
3. HORIZONTAL ALUMINIUM PROFILES
4. CONNECTING FITTINGS WITH SCREWS

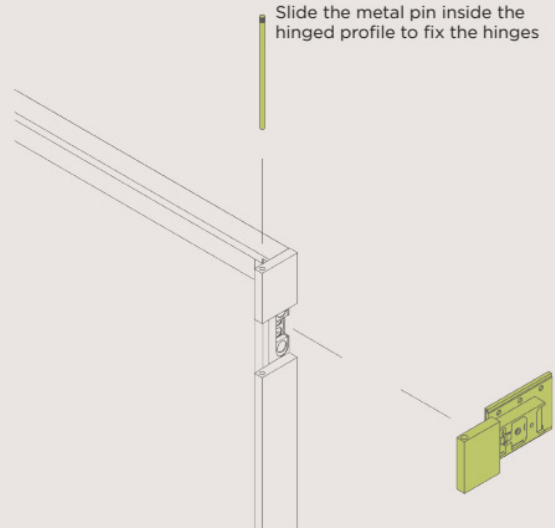
GLASS DIMENSION:

- DOOR HEIGHT MINUS 5MM
- DOOR WIDTH MINUS 21MM
- GLASS THICKNESS 4MM

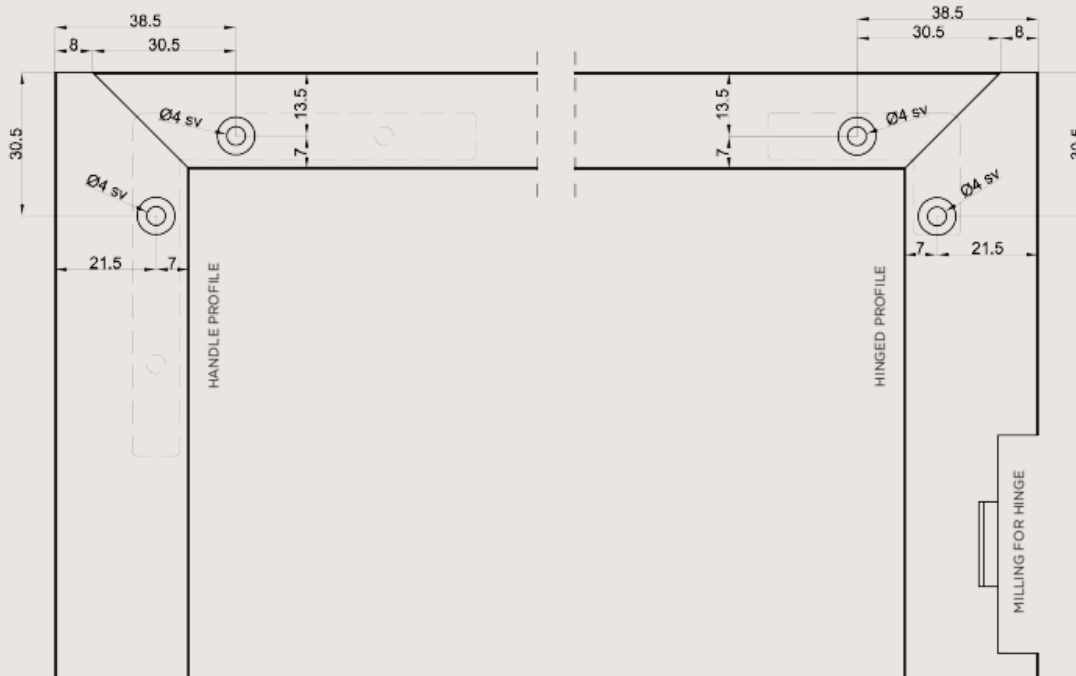
how to fix the Glix 3.0 hinge external mounting on the profile



how to fix the Glix hinge recessed mounting hinge on the profile

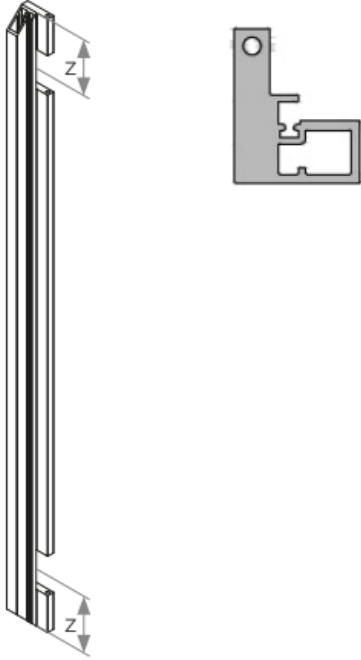


technical assembling information



SPECIAL HINGED DOORS SYSTEMS | GLIX ALUMINIUM PROFILES FOR DOORS

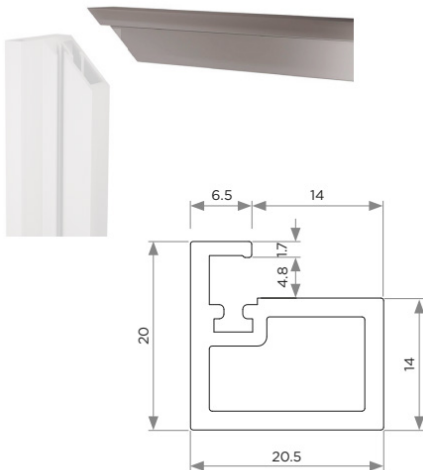
HINGED PROFILE WITH SOFT CLOSING ASSEMBLED



ITEM	FINISHING	LENGTH (mm)	WARDROBE HEIGHT (mm)	Z (mm)	BOX
TA-3711.24	Brown Metal Grey	2423	2457	100	8
TA-3711.26	Brown Metal Grey	2615	2649	100	8

Rubber gasket included.

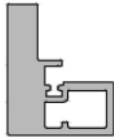
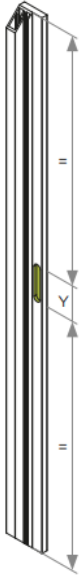
TOP AND BOTTOM HORIZONTAL PROFILE



ITEM	FINISHING	LENGTH (mm)	BOX
TA-2304	Brown Metal Grey	3000	8

ITEM	FINISHING	LENGTH (mm)	BOX (mtl)
TA-2305	Rubber gasket for Glix profile	2600	26

HANDLE PROFILE

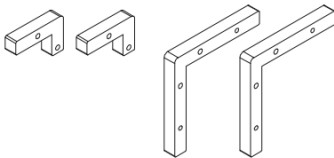


The milling for handle is always in the center of the profile.

ITEM	FINISHING	LENGTH (mm)	WARDROBE HEIGHT (mm)	Y (mm)	BOX
TA-3712.24	Brown Metal Grey	2423	2457	400	8
TA-3712.26	Brown Metal Grey	2615	2649	400	8

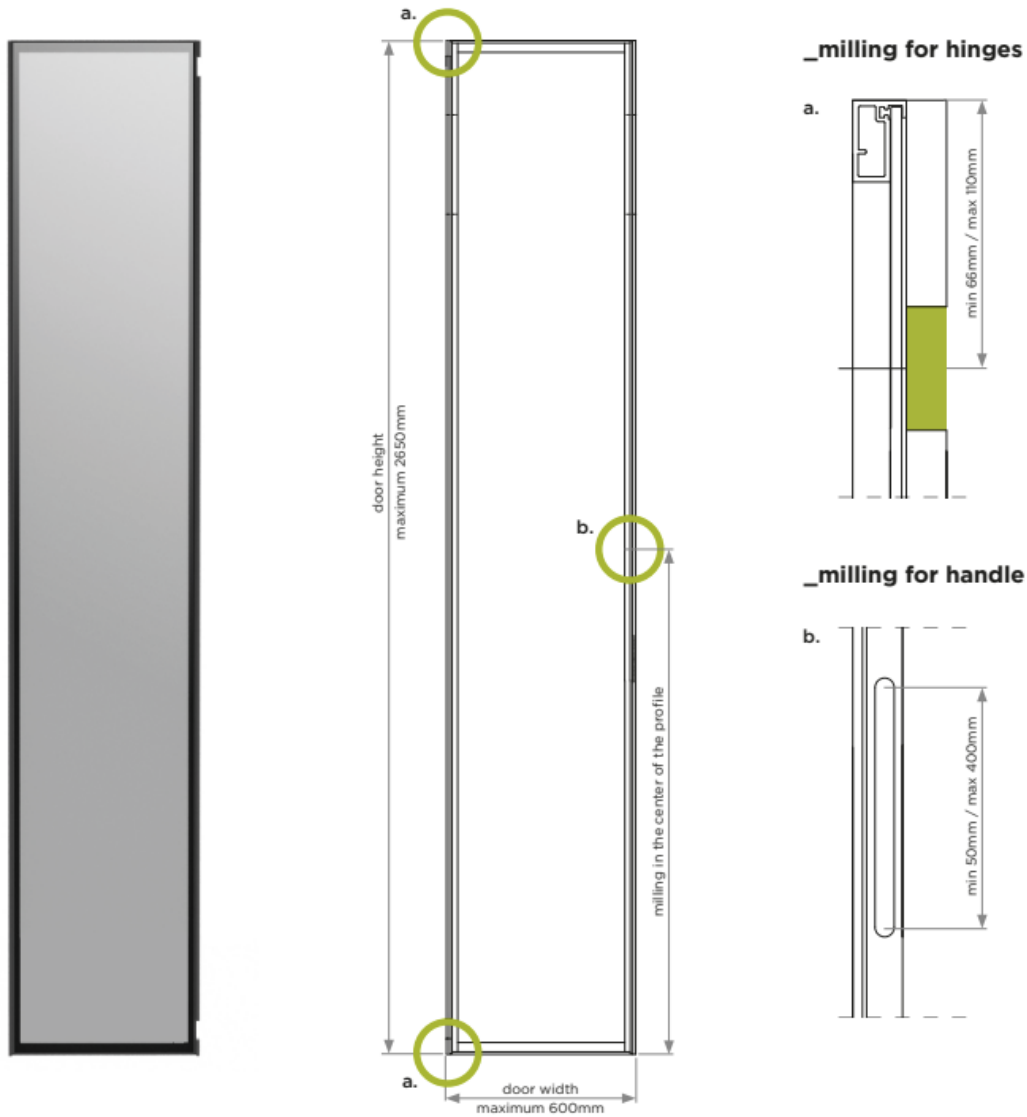
Rubber gasket included.

KIT OF CONNECTING FITTINGS



ITEM	SPECIFICATIONS	BOX
TA-2306	Kit composed by 2 small connecting plates, 2 big connecting plates and 8 screws M4x10	40

CUSTOM-SIZE DOOR FRAME



CUSTOM-SIZE DOOR FRAME - ORDER TEMPLATE

Customer Name: _____ Date of order: _____

Finishing: _____ Min Order: **20pcs per measure**

ITEM	MEASURE (mm)	INDICATION
DOOR HEIGHT		Minimum 450mm / Maximum 2650mm
DOOR WIDTH		Minimum 250mm / Maximum 600mm
MILLING FOR HANDLE		Minimum 50mm / Maximum 400mm
MILLING FOR HINGES		Minimum 66mm / Maximum 110mm from the edge of the profile

PROSOL

we deliver quality!

PROFESSIONAL ASSISTANCE GROUP

Delhi Office :
4/24, West Patel Nagar,
New Delhi - 110008.

Design Centre :
Tower-1 -107, DLF Corporate Greens,
Sector 74A, Gurgaon - 122004.

Email : sales@pagonline.co.in | Web : www.pro-sol.in
Mobile : +91 7982753826, 9868183982