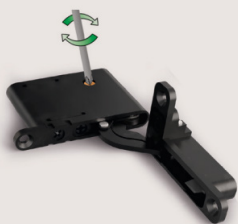


**PRO**SOL<sup>®</sup>  
we deliver quality!

RECESSED HINGES  
AND PROFILES

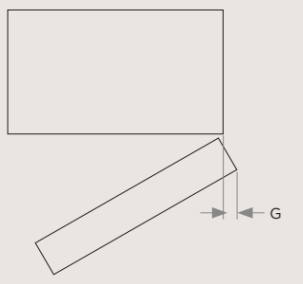
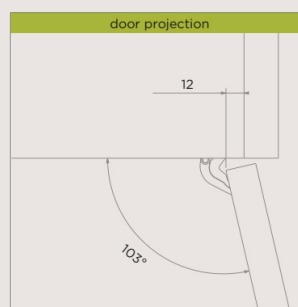
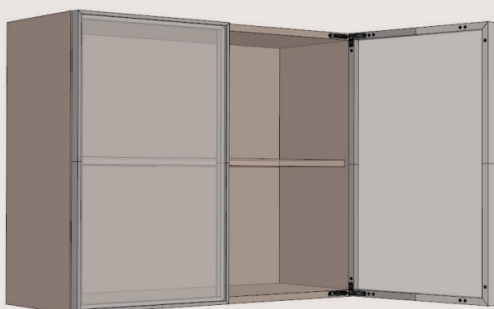


**recessed hinges**



**DAMPER EXCLUSION:**  
possibility of excluding the damper function

**opening angle**



G = rotating space

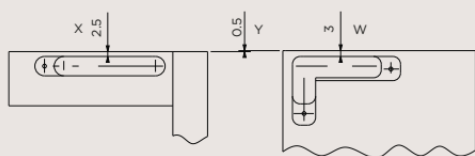
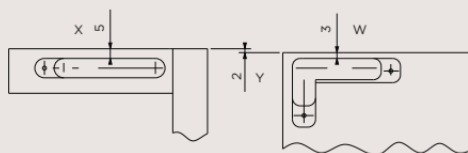
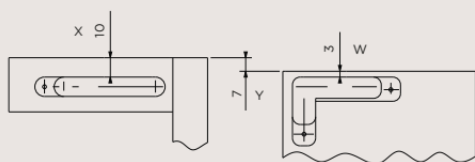
**DOOR THICKNESS (mm)**

	18	20	22	24	26	28	30	32
<b>D3</b>	0.0	0.2	0.5	0.9	1.4	2.1	3.1	4.7
<b>D4</b>	0.0	0.2	0.5	0.9	1.4	2.0	2.9	4.2
<b>D5</b>	0.0	0.2	0.5	0.8	1.3	2.0	2.8	3.9
<b>D6</b>	0.0	0.2	0.5	0.8	1.3	1.9	2.7	3.7

The space required can be reduced according to the radius of door edges.

**hinges application**

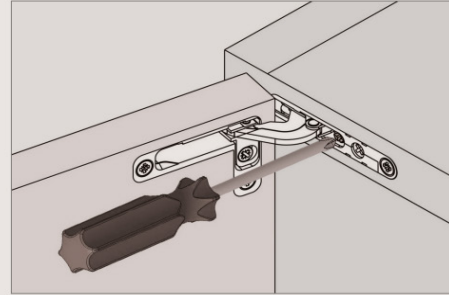
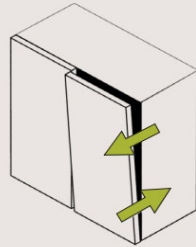
$$Y = (X - W) \quad W = (X - Y) \quad X = (W + Y)$$



**3D adjustments**

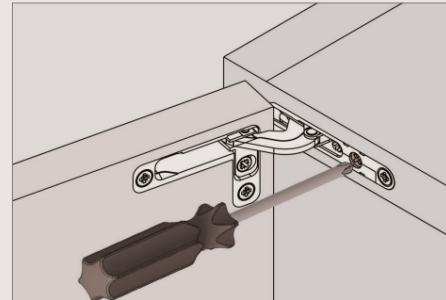
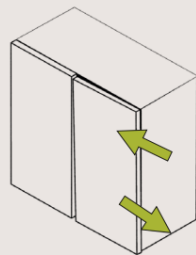
**front adjustment**

+ 2mm / - 0.5mm



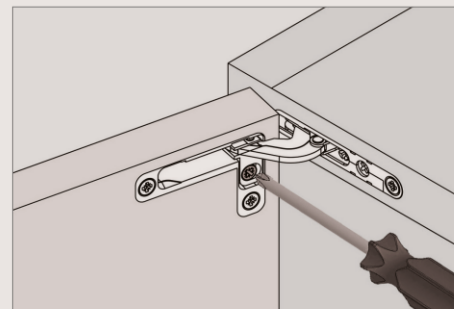
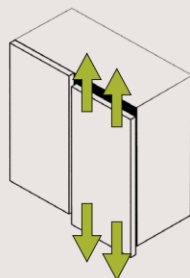
**lateral adjustment**

+ 2mm / - 2mm



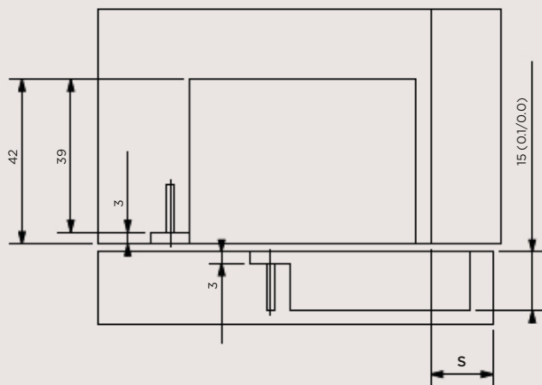
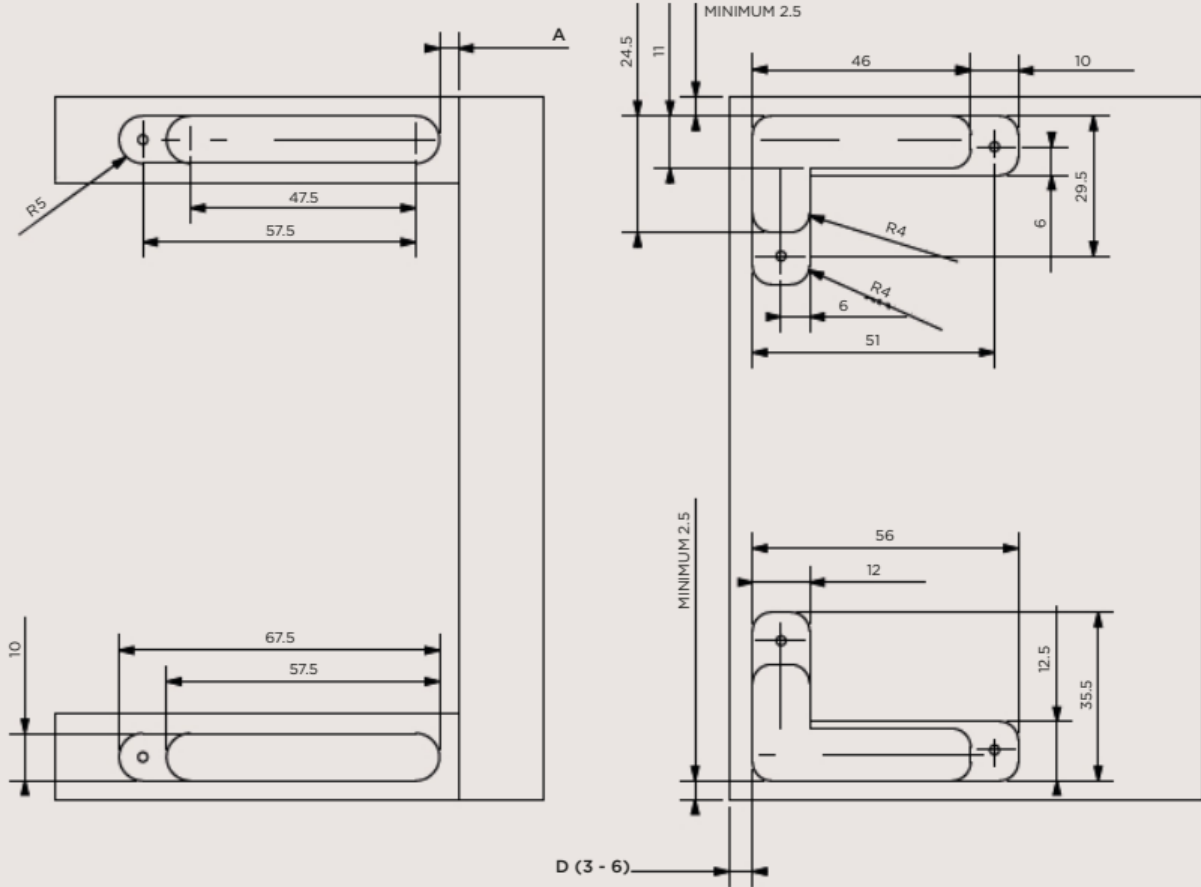
**vertical adjustment**

+ 1.5mm / - 1.5mm



**milling required for installation**

$A = (17 + D) - S$



**TECHNICAL SPECIFICATIONS:**

- AVAILABLE WITH SOFT CLOSING INTEGRATED, PUSH TO OPEN, OR WITHOUT SPRING
- DOOR WIDTH MAX: 600MM
- DOOR HEIGHT MAX: 2000MM
- OPENING ANGLE: 105°
- MINIMUM THICKNESS OF PANELS: 18MM

■ RECESSED HINGES



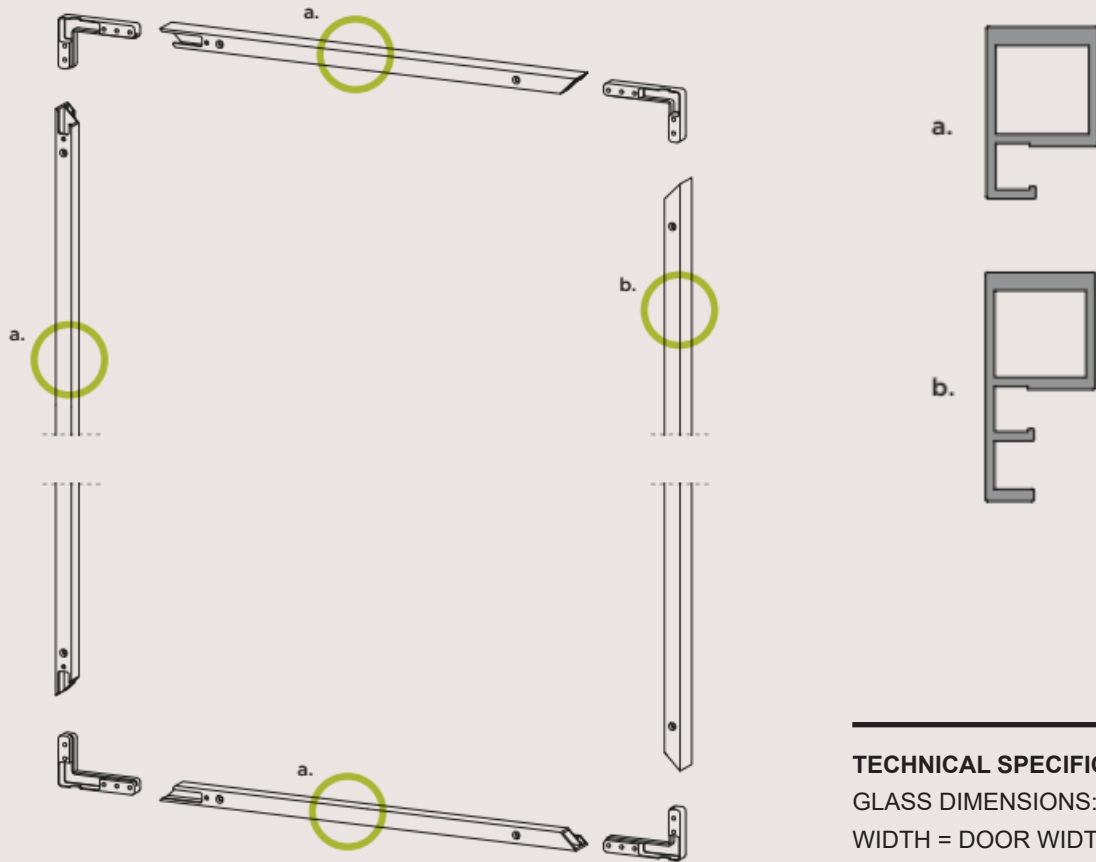
RECESSED HINGES WITH INTEGRATED SOFT CLOSING

ITEM	SPECIFICATIONS	FINISHING	BOX
TA-2441.R	Right	Black	100
TA-2441.L	Left	Black	100

RECESSED HINGES PUSH TO OPEN

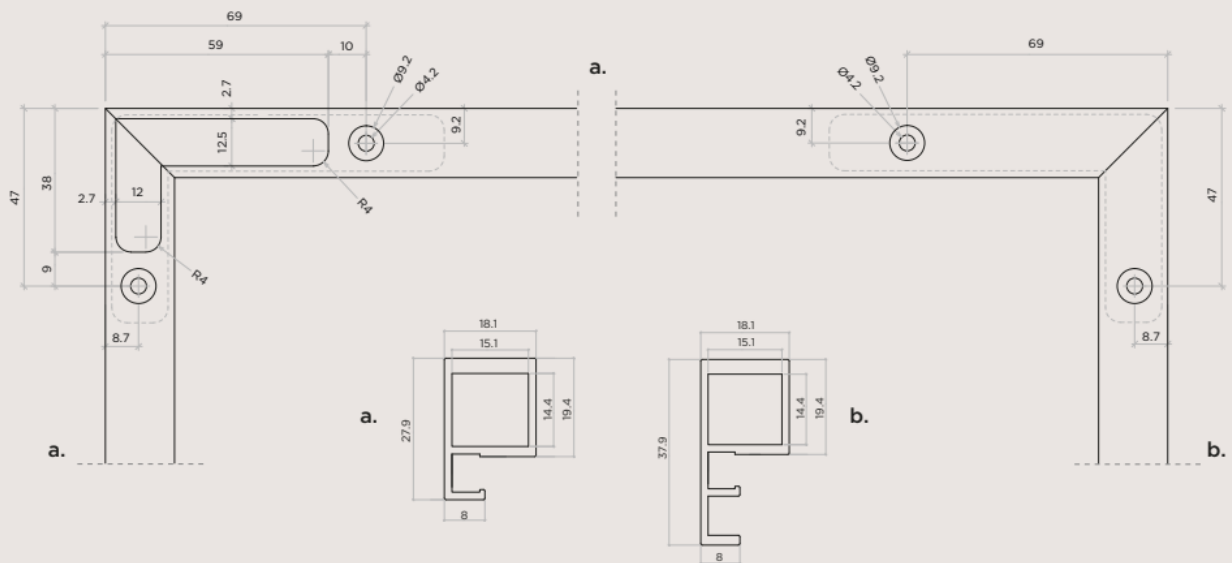
ITEM	SPECIFICATIONS	FINISHING	BOX
TA-2444.R	Right	Black	100
TA-2444.L	Left	Black	100

**aluminium profiles for glass door: application with hinged profile and handle profile**

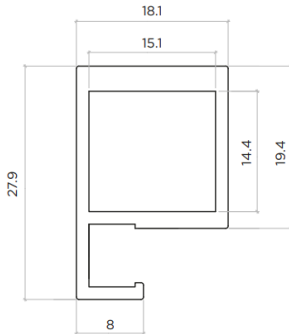


**TECHNICAL SPECIFICATIONS:**  
GLASS DIMENSIONS:  
WIDTH = DOOR WIDTH -6 mm  
HEIGHT = DOOR HEIGHT -6 mm

**technical information**



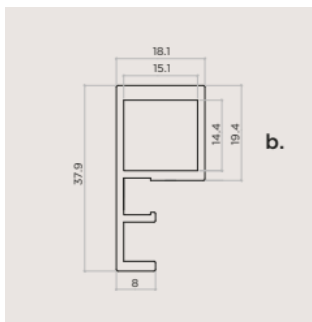
■ ALUMINIUM PROFILES



ITEM	FINISHING	LENGTH (mm)	BOX
TA-2442.BMG	Brown Metal Grey	3000	4

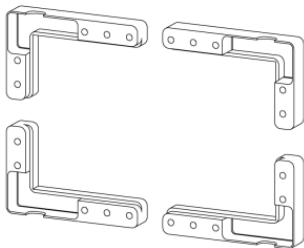
Other measures available on request.

ITEM	SPECIFICATIONS	LENGTH (mm)	BOX
TA-2508.04	Rubber gasket for glass 4mm	3000	50
TA-2508.05	Rubber gasket for glass 5mm	3000	50



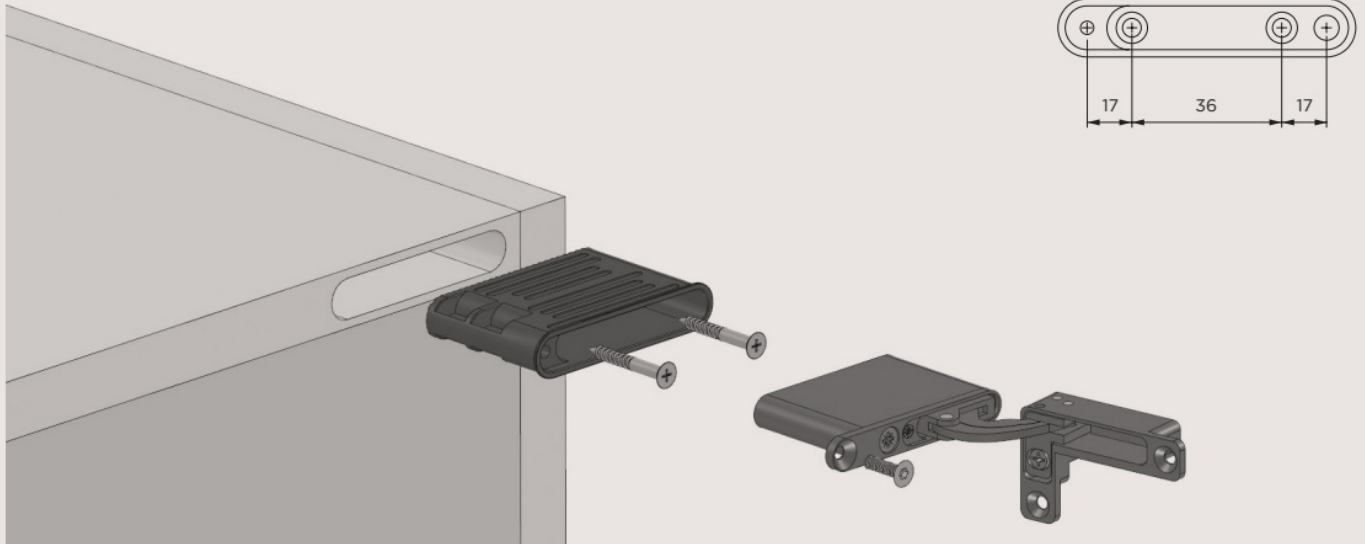
ITEM	FINISHING	LENGTH (mm)	BOX
TA-2480.BMG	Brown Metal Grey	3000	4

CORNER CONNECTORS FOR ALUMINIUM DOOR



ITEM	SPECIFICATIONS	BOX
TA-2443	Kit composed by 2 right and 2 left brackets. 18 screws M4x12 black oxide and 18 screws M4x12 nickel plated.	25

**fixing support for top and bottom panels (optional)**



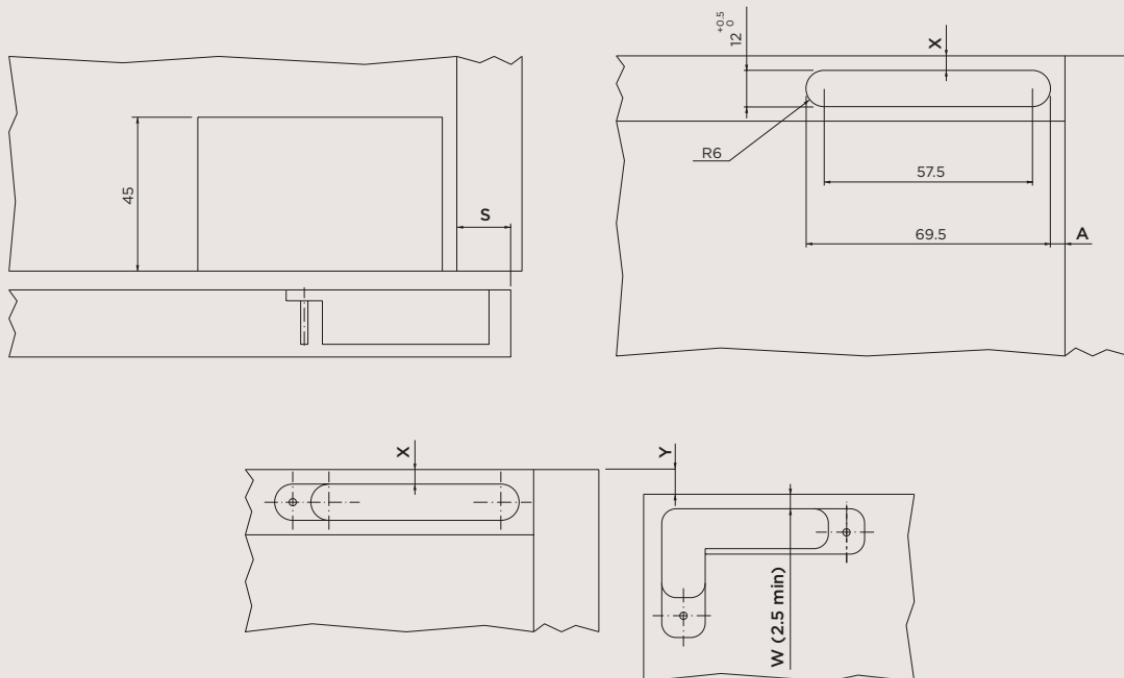
**top and bottom panel drilling for fixing support**

$$A = (16 + D) - S$$

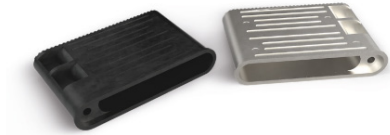
$$Y = (X - W)$$

$$W = (X - Y)$$

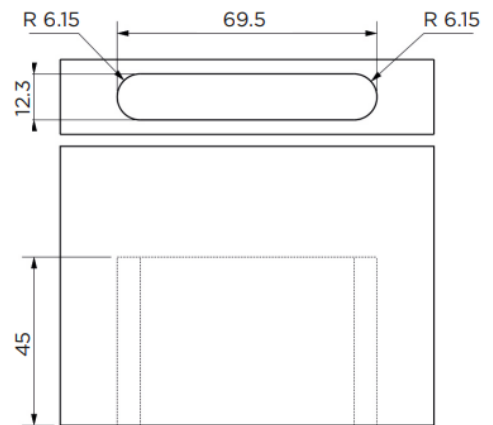
$$X = (W + Y)$$



**FIXING SUPPORT (OPTIONAL)**



ITEM	FINISHING	LENGTH (mm)	BOX
TA-1068.BL	Black	3000	4



# **PRO**SOL

we deliver quality!

## **PROFESSIONAL ASSISTANCE GROUP**

**Delhi Office :**  
4/24, West Patel Nagar,  
New Delhi - 110008.

**Design Centre :**  
Tower-1 -107, DLF Corporate Greens,  
Sector 74A, Gurgaon - 122004.

Email : [sales@pagonline.co.in](mailto:sales@pagonline.co.in) | Web : [www.pro-sol.in](http://www.pro-sol.in)  
Mobile : +91 7982753826, 9868183982