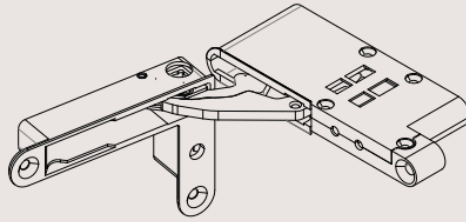


PROSOL[®]
we deliver quality!

RECESSED HINGES
WITH LOAD CAPACITY
30 KG AND PROFILES



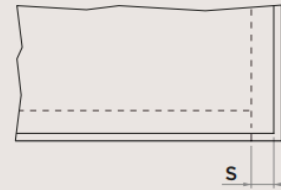
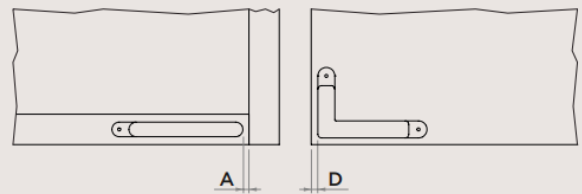
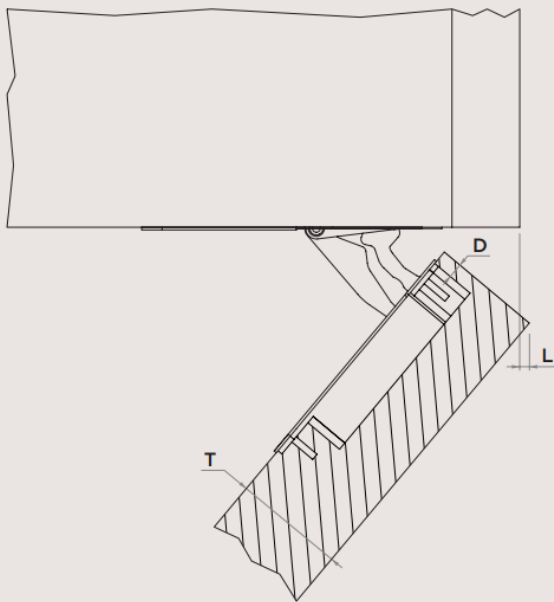
recessed hinges 30Kg



door opening space requirements

$$A = (22.5 + D) - S$$

$$S \text{ max} = 26.5\text{mm} \text{ (T = 20)}$$

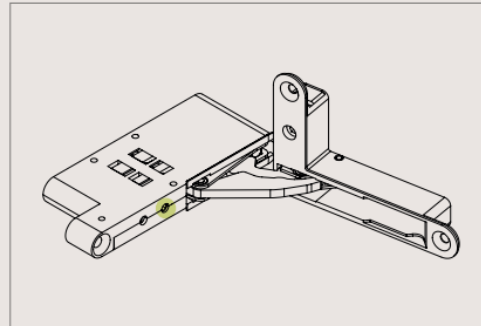
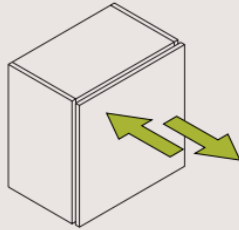


	T=20	T=22	T=24	T=26	T=28	T=30	T=32	T=34	T=36	T=38	T=40
L (D=3)	-	-	-	-	-	0.5	1	1.8	2.9	4.3	5.8
L (D=4)	-	-	-	-	0.2	0.5	1	1.8	2.8	4	5.5
L (D=5)	-	-	-	-	0.2	0.5	1	1.6	2.6	3.8	5.1
L (D=6)	-	-	-	-	0.2	0.5	1	1.6	2.5	3.6	4.8
L (D=7)	-	-	-	-	0.2	0.5	1	1.6	2.1	3.3	4.6

3D adjustments

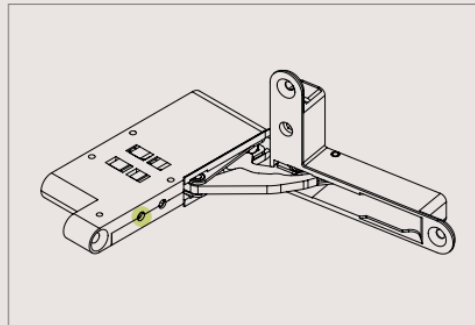
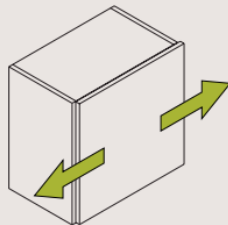
front adjustment

+ 2mm / - 0.5mm



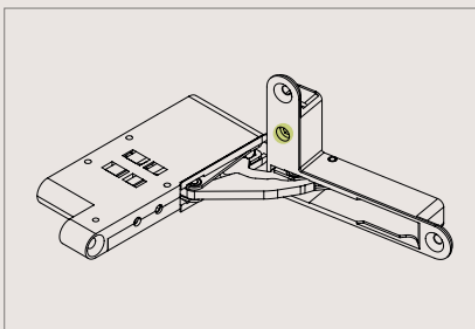
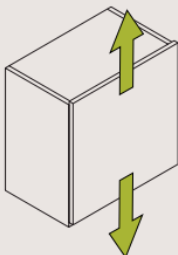
lateral adjustment

± 2mm



vertical adjustment

± 2mm



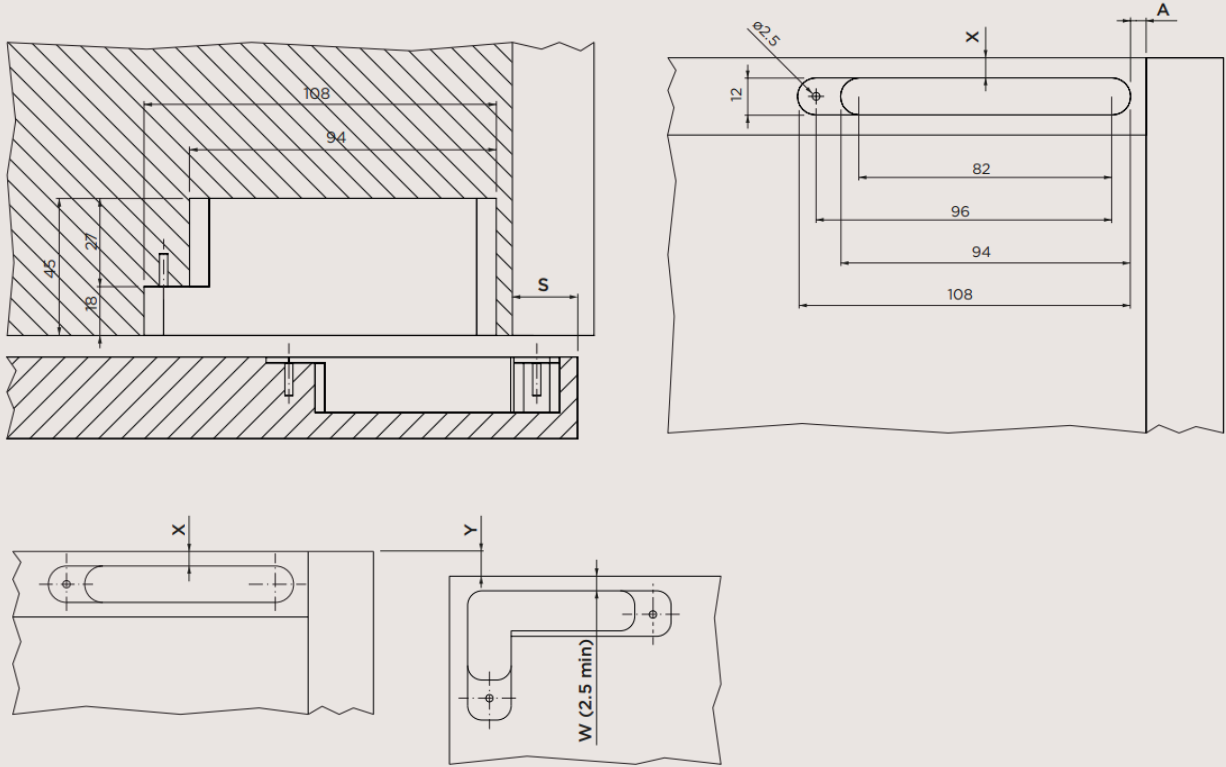
milling on top and bottom panels

$$A = (22.5 + D) - S$$

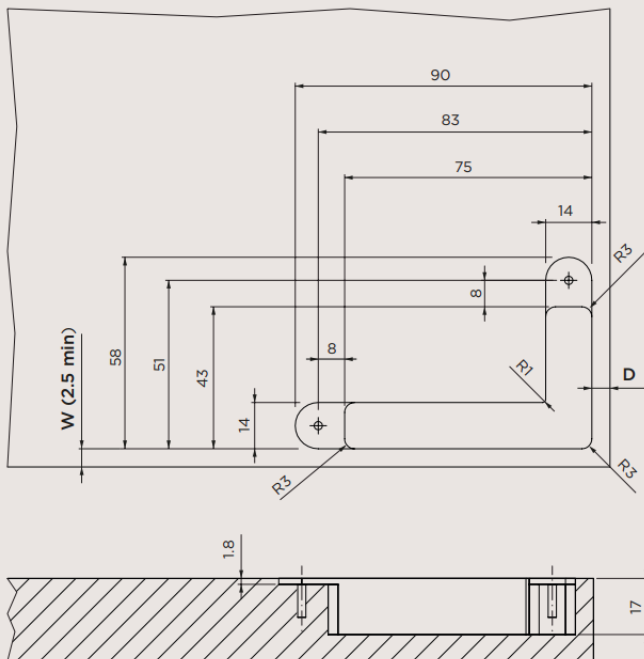
$$Y = (X - W) - 1$$

$$W = (X - Y) - 1$$

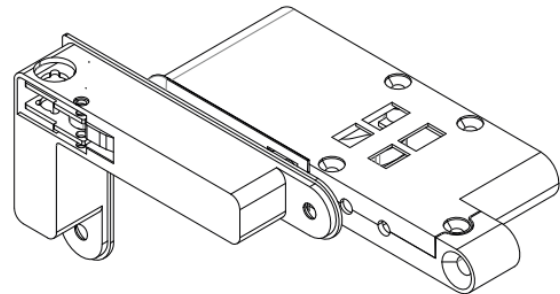
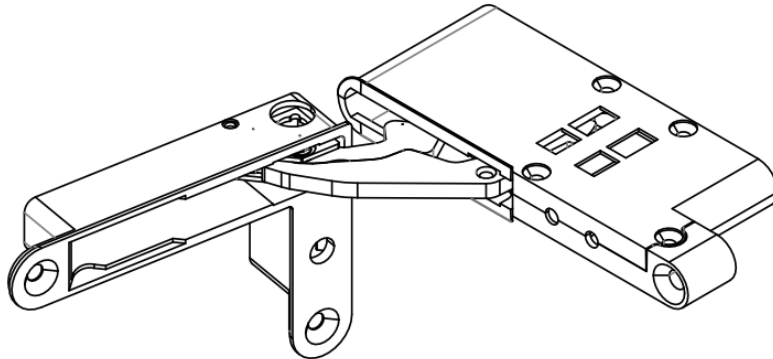
$$X = (W + Y) + 1$$



milling on wooden door



RECESSED HINGES WITH INTEGRATED SOFT CLOSING 30KG



TECHNICAL SPECIFICATIONS:

MAXIMUM DOOR WEIGHT 30KG

DOOR'S THICKNESS FROM 20MM UP TO 40MM

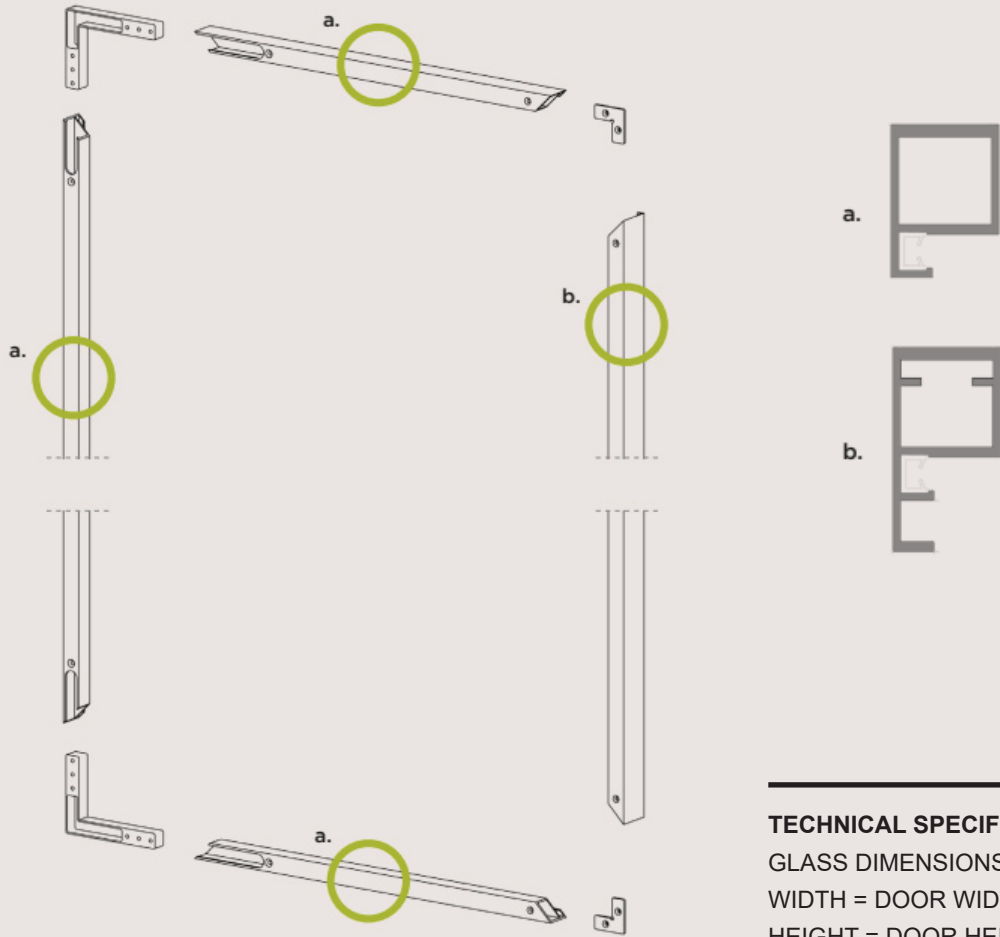
SOFT CLOSING INTEGRATED

DOOR'S OPENING ANGLE 100°

MINIMUM THICKNESS OF TOP/BOTTOM PANELS: 25MM

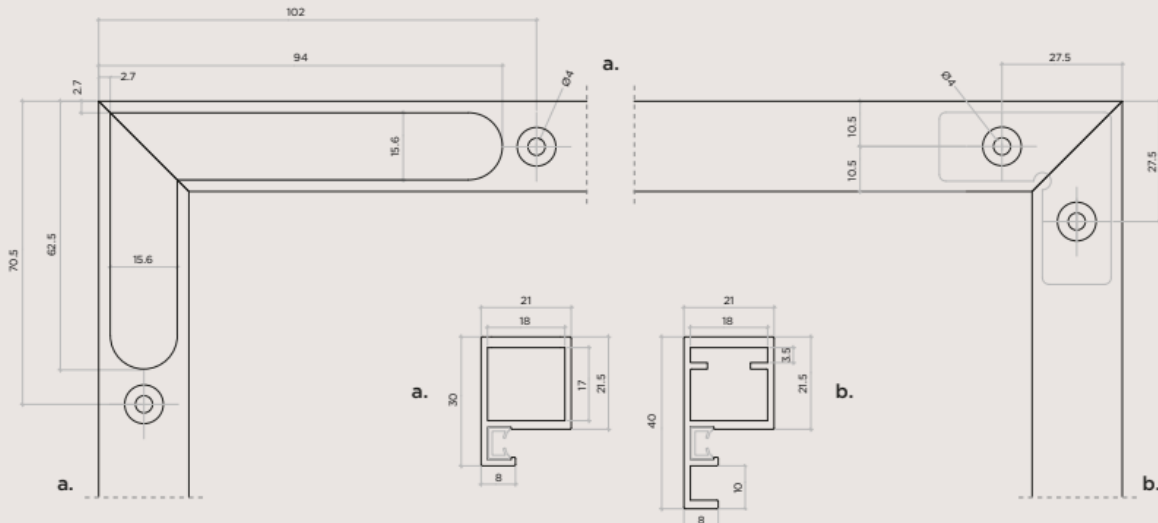
ITEM	SPECIFICATIONS	FINISHING	BOX
TA-2445.R	Right	Black	30
TA-2445.L	Left	Black	30

aluminium profiles for glass door: application with hinged profile and handle profile

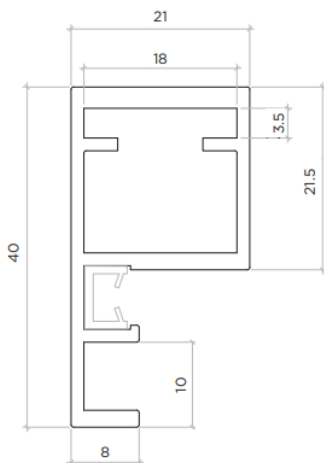
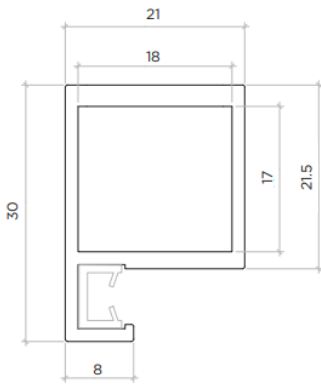


TECHNICAL SPECIFICATIONS:
GLASS DIMENSIONS:
WIDTH = DOOR WIDTH -6 mm
HEIGHT = DOOR HEIGHT -6 mm

technical information



ALUMINIUM PROFILES



ITEM	FINISHING	LENGTH (mm)	BOX
TA-2450	Brown Metal Grey	3000	4

Other measures available on request.

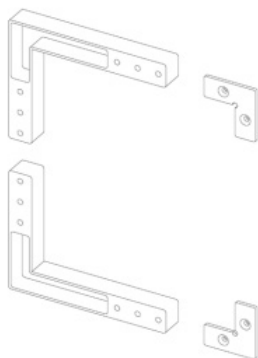
ITEM	FINISHING	LENGTH (mm)	BOX
TA-2508.04	Rubber gasket for glass 4mm	3000	50
TA-2508.05	Rubber gasket for glass 5mm	3000	50

ITEM	FINISHING	LENGTH (mm)	BOX
TA-2451	Brown Metal Grey	3000	4

Other measures available on request.

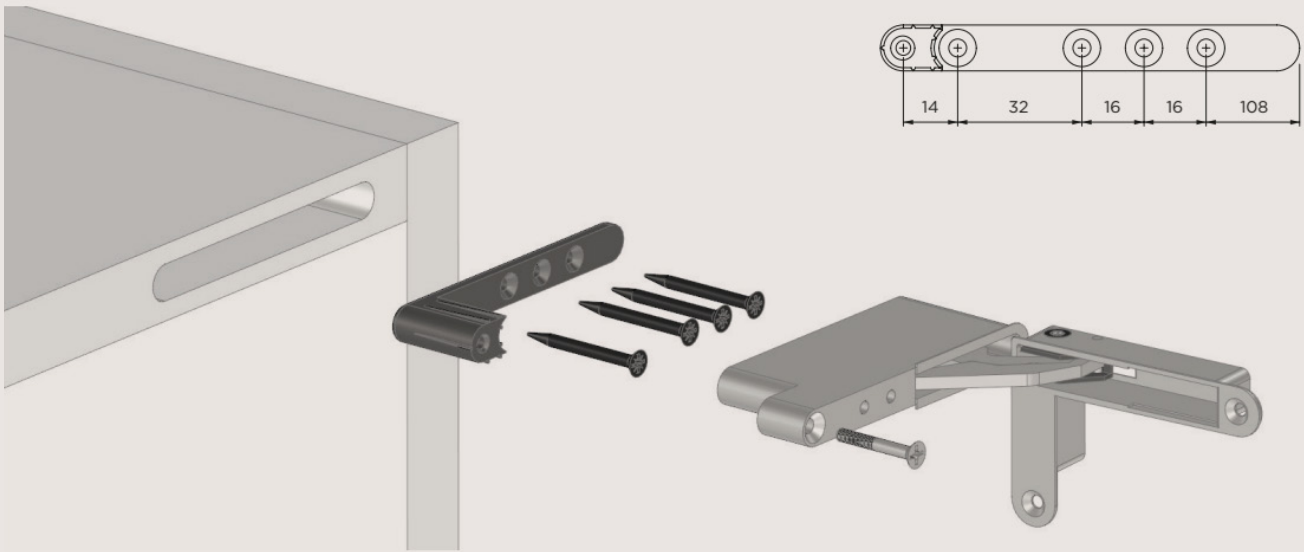
ITEM	FINISHING	LENGTH (mm)	BOX
TA-2508.04	Rubber gasket for glass 4mm	3000	50
TA-2508.05	Rubber gasket for glass 5mm	3000	50

CORNER CONNECTORS FOR ALUMINIUM DOOR



ITEM	SPECIFICATIONS	BOX
TA-2448	Kit composed by 1 big bracket left, 1 big bracket right and 2 small brackets. 14 screws M4x12 black oxid and 14 screws M4x12 nickel plated.	30

fixing support for top and bottom panels (optional)



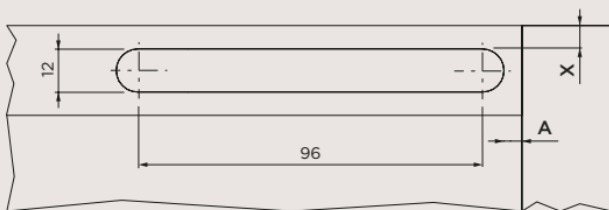
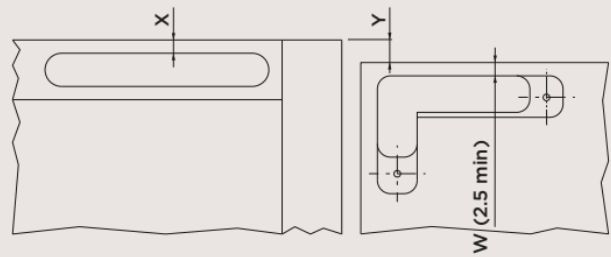
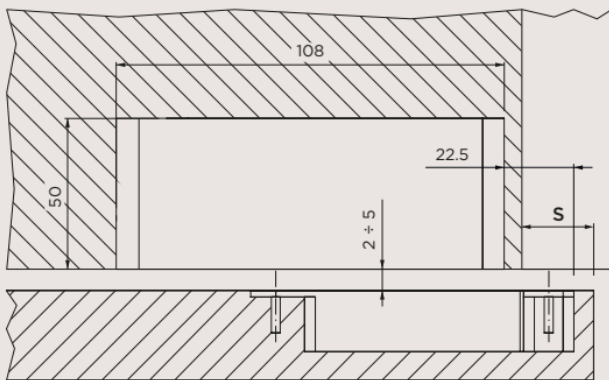
top and bottom panel drilling for fixing support

$$A = (22.5 + D) - S$$

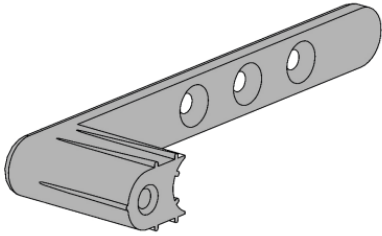
$$Y = (X - W) - 1$$

$$W = (X - Y) - 1$$

$$X = (W + Y) + 1$$



FIXING SUPPORT (OPTIONAL)



ITEM	SPECIFICATIONS	LENGTH (mm)	BOX
TA-2449	Set of left and right	120	60

PROSOL

we deliver quality!

PROFESSIONAL ASSISTANCE GROUP

Delhi Office :
4/24, West Patel Nagar,
New Delhi - 110008.

Design Centre :
Tower-1 -107, DLF Corporate Greens,
Sector 74A, Gurgaon - 122004.

Email : sales@pagonline.co.in | Web : www.pro-sol.in
Mobile : +91 7982753826, 9868183982