

STRAIGHTENERS GLIX DO
BELAPOST BASKET SHING
IANTE LUMINOUS SHELF
OBE **LUXURY** LIVING WAR
SLIDING DOORS LIFT UPS
HANDLES STRAIGHTENERS
AWERS WARDROB **2024** AI

W.E.F 01-06-2024

WALL HANGING BRACKET BY CAMAR

TA-387 - Wall Cabinet Hanging Bracket With Mounting Plate



- Wall hanging brackets are used to hang cabinets to the wall. These hanging brackets feature a slide on / slide off cover which completely conceals the adjustment and fixing screws, gives it a neat and cleaner appearance.
- Both adjustment screws face the outside of the carcass for easy accessibility.
- This allows easy adjustment even if the cabinet is loaded.
- The cover cap is available in white / metal nickel plated.
- Wall hanging brackets are highly durable and can take load up to 65kg.
- This can be adjusted up to 25mm horizontally and up to 28mm vertically.
- Components made of ABS and Steel.

PRODUCT INFORMATION

1 Set TA-387.W (White Cap) Consist of



TA-387 - 2pcs



Cover Cap (White) - 2pcs



Mounting Plate - 2pcs

1 Set TA-387.N (Nickle Cap) Consist of



TA-387 - 2pcs



Cover Cap (Nickle) - 2pcs

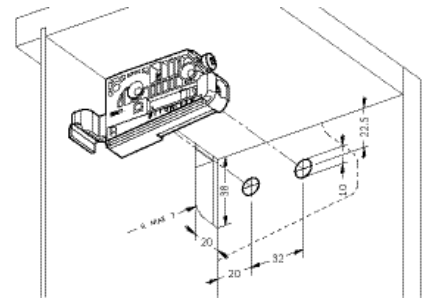
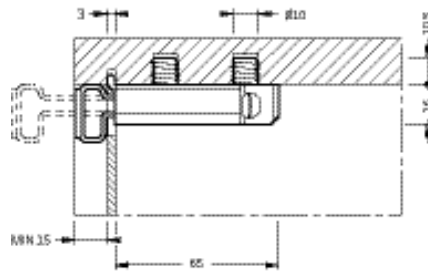
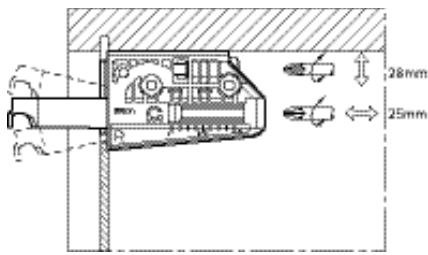


Mounting Plate - 2pcs

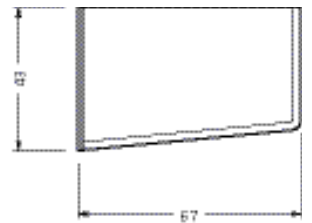
Code	Description	Size	Finish
TA-387.W	Wall Hanging Bracket With Cover Cap & Mounting Plate		White
TA-387.N			Nickle Plated

TECHNICAL INFORMATION

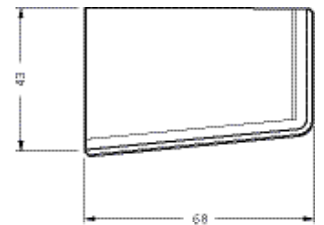
Bracket



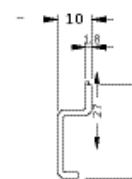
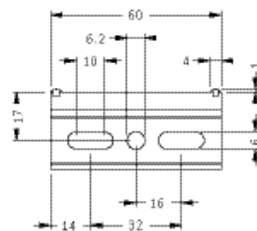
Cover Cap (White)



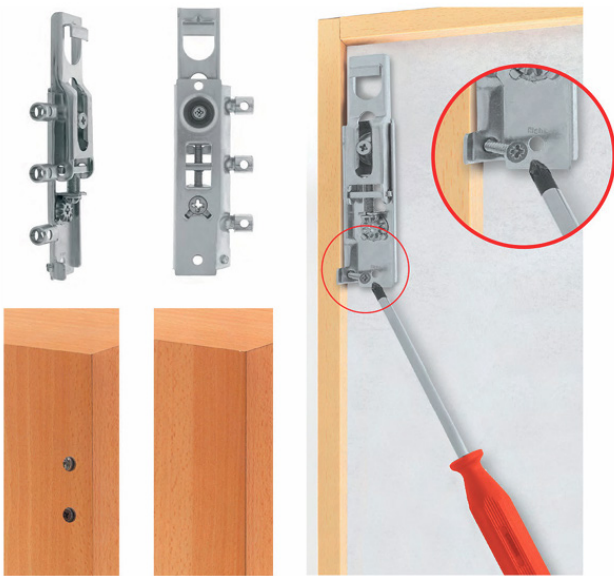
Cover Cap (Nickle)



Mounting Plate



TA-400 - Conceal Wall Hanging Bracket With Mounting Plate



These totally concealed hangers avoid any alteration in the design of the furniture unit.

- Concealed hangers are highly durable and can take a maximum load of 90kg.
- Concealed hangers can be adjusted up to 25mm horizontally and up to 18mm vertically.
- Made of steel & zamak.

PRODUCT INFORMATION

1 Set TA-400.W (White) Consist of



TA-400 - 2pcs



Cover Cap (White) - 2pcs



Mounting Plate - 2pcs

1 Set TA-400.N (Nickle) Consist of



TA-400 - 2pcs



Cover Cap (Nickle) - 2pcs

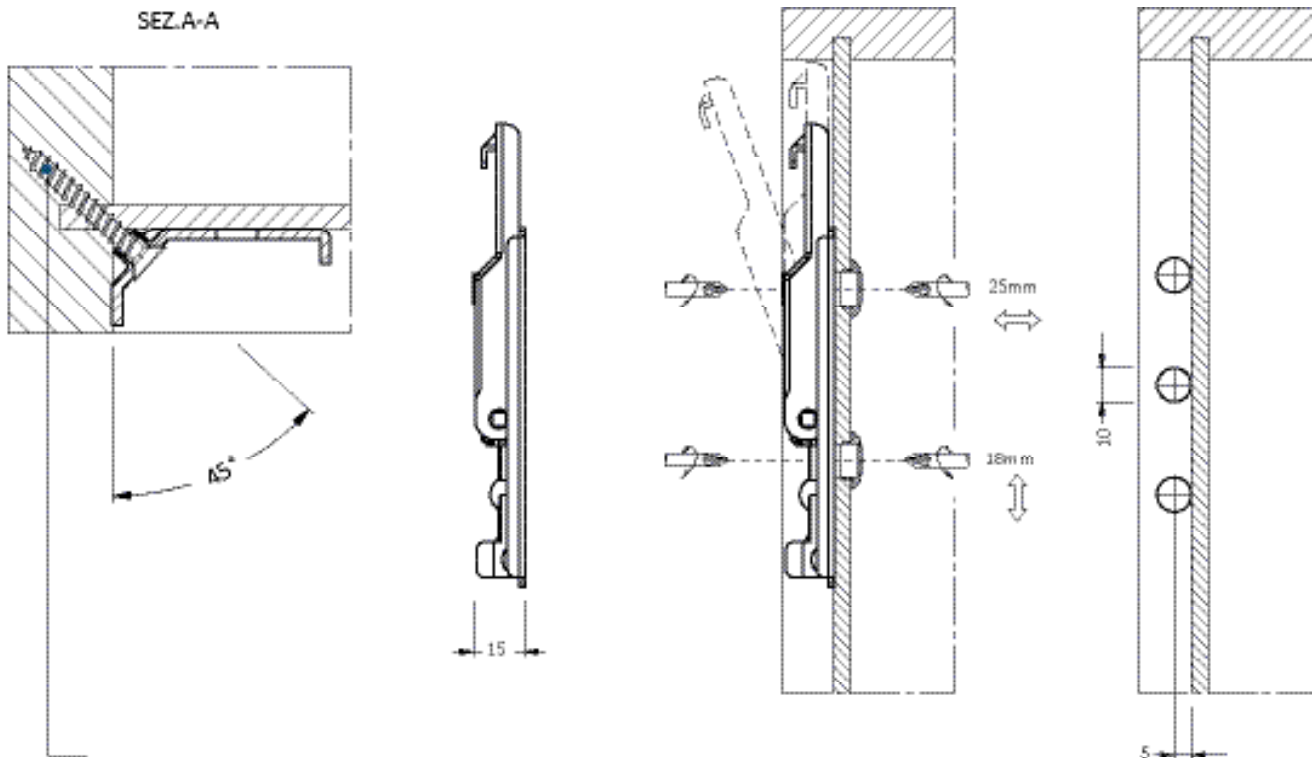
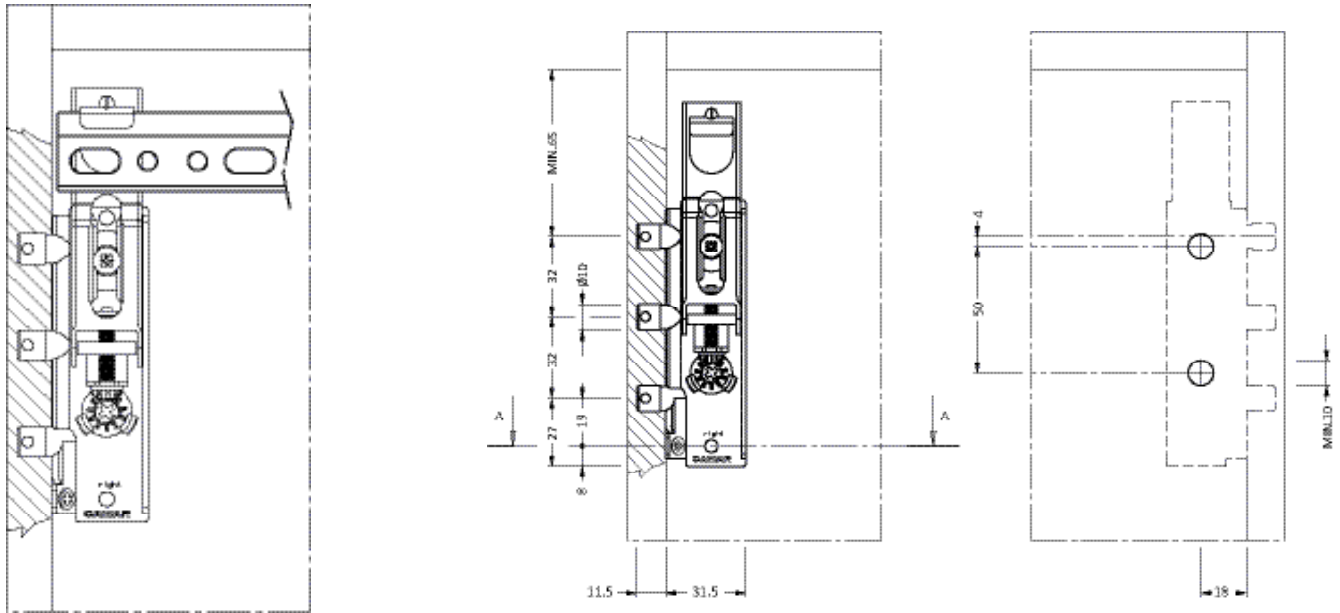


Mounting Plate - 2pcs

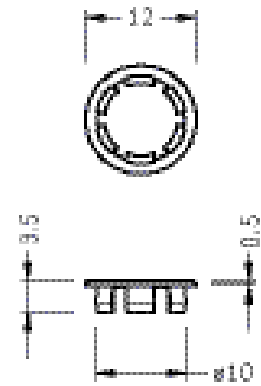
Code	Description	Size	Finish
TA-400.W	Conceal Wall Hanging Bracket With Cover Cap & Mounting Plate		White
TA-400.N			Nickle Plated

TECHNICAL INFORMATION

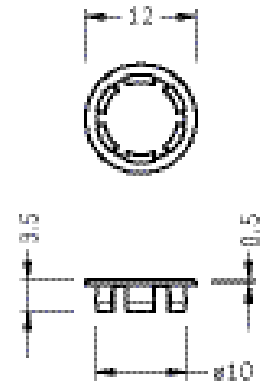
Bracket



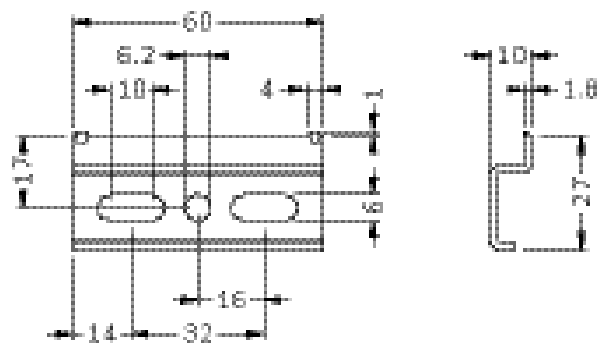
Cover Cap (White)



Cover Cap (Nickle)



Mounting Plate



TA-401 - Base Cabinet Wall Hanging Bracket | TA-405 & TA-406 - Anti-Drop Wall Plate



- Components made of steel.
- Available with 3D locking mounting plate.
- Very easy to fit, through 4 small holes in the cabinet.
- It has a hooking system which prevents the cabinet from accidental falling from the wall.
- It has a thickness of only 10mm.
- Horizontal adjustment range is 19mm & Vertical adjustment range is 22mm.
- Weight capacity is 100 kg.
- The wall plate secures the hanging bracket and locks it. Can be released only using a screw driver.
- The wall plate is secured with the wall using 4pc screws at a distance of 36mm, which further enhances the weight carrying capacity of the plate.

PRODUCT INFORMATION

1 Set TA-401 with TA-405 Mounting plate consist of



TA-401 - 2pcs



Cover Cap (White) - 2pcs



TA-405 - 2pcs

1 Set TA-401 with TA-406 Mounting plate consist of



TA-401 - 2pcs



Cover Cap (White) - 2pcs

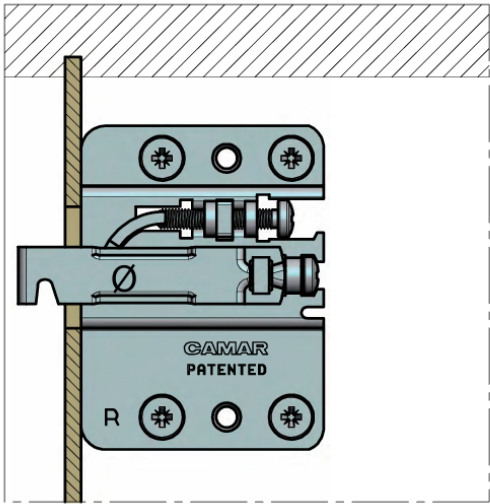
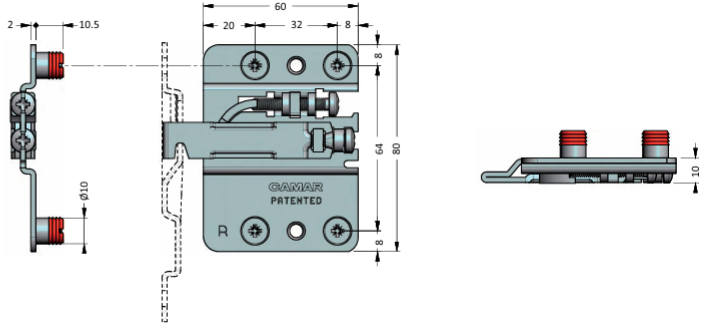
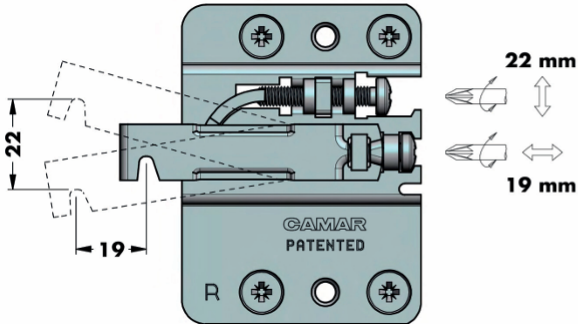


TA-406 - 2pcs

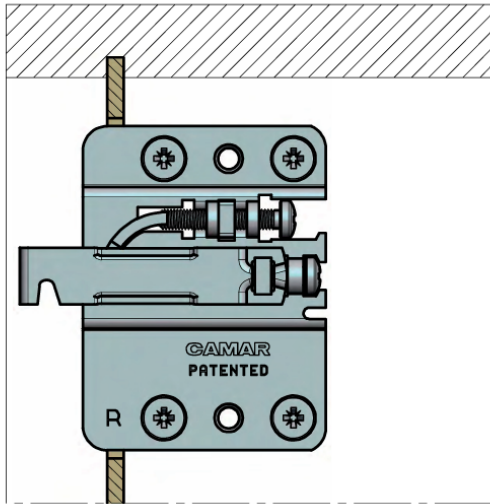
Code	Description	Size	Finish
TA-401	Base Unit Wall Hanging Bracket With Cover Cap		White
TA-405	Anti-Drop Wall Plate	60mm x 70mm	Zinc
TA-406		120mm x 120mm	Zinc

TECHNICAL INFORMATION

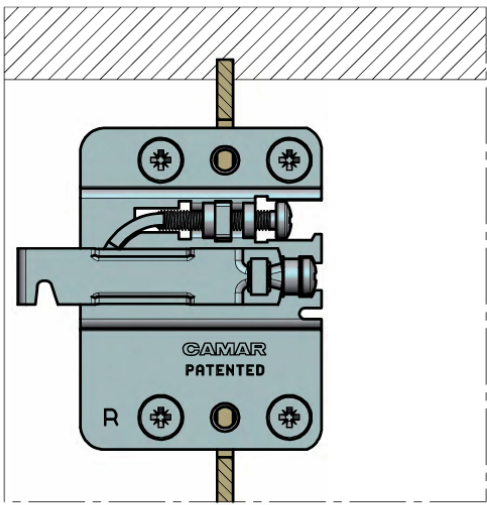
Bracket



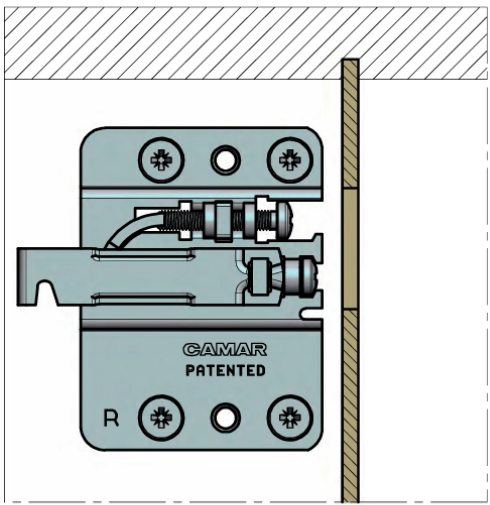
F1



F2

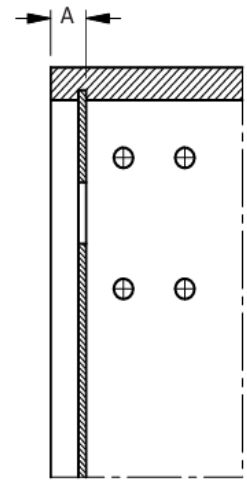
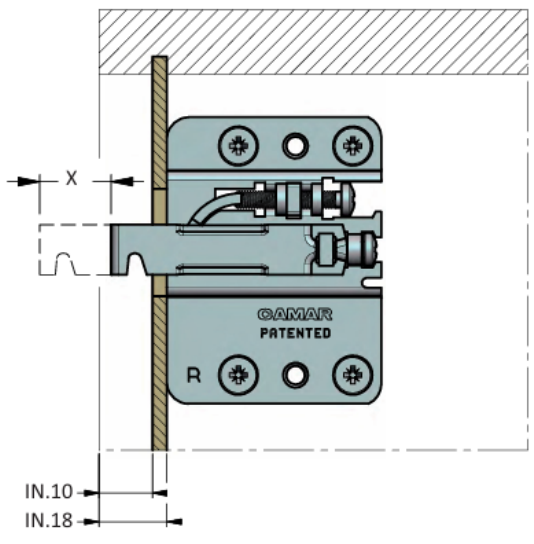
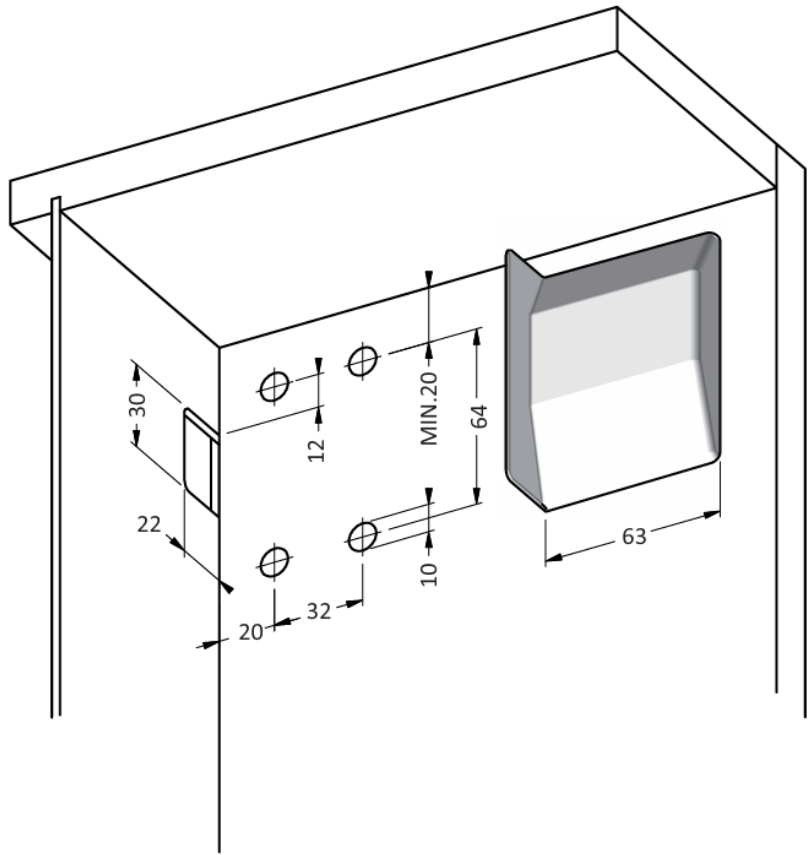


F3



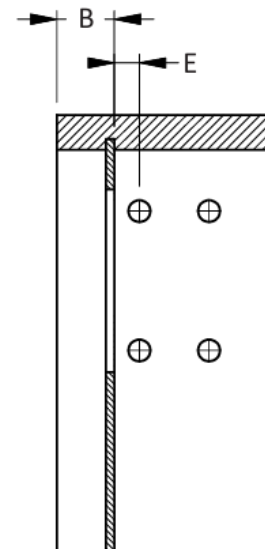
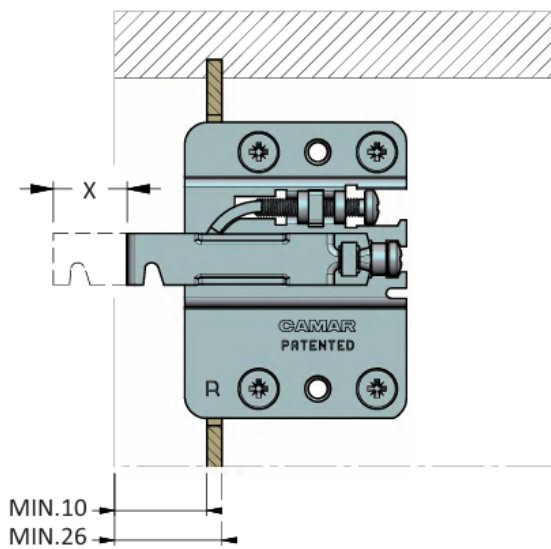
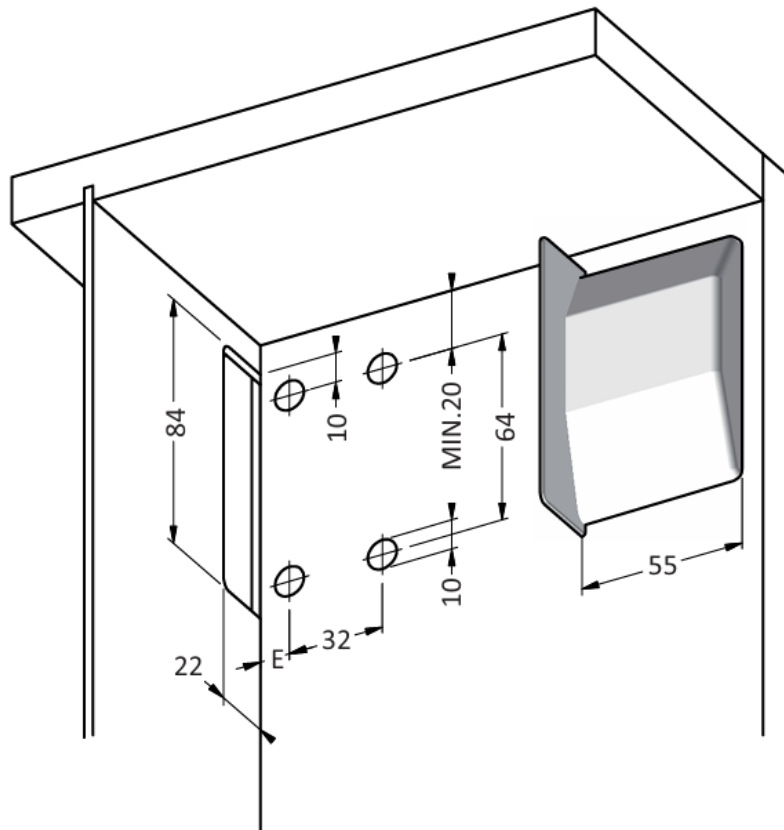
F4

F1



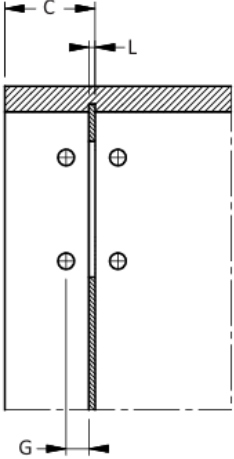
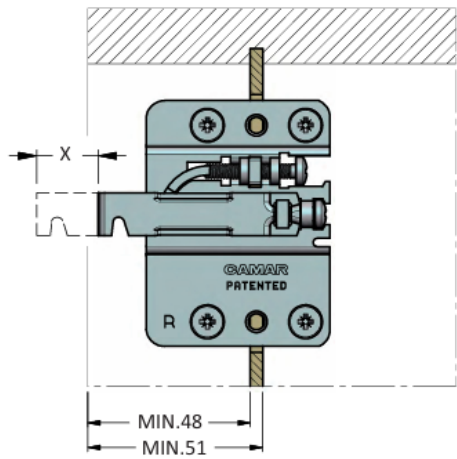
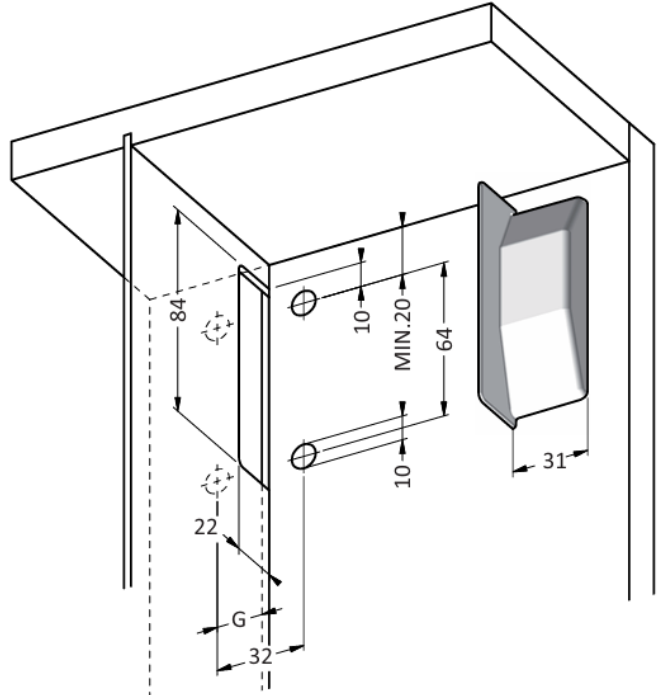
A	18	19	20	21	22	23	24	25
X	19	18	17	16	15	14	13	12

F2



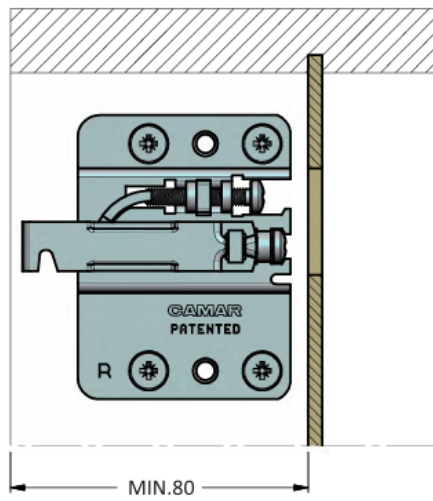
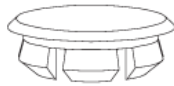
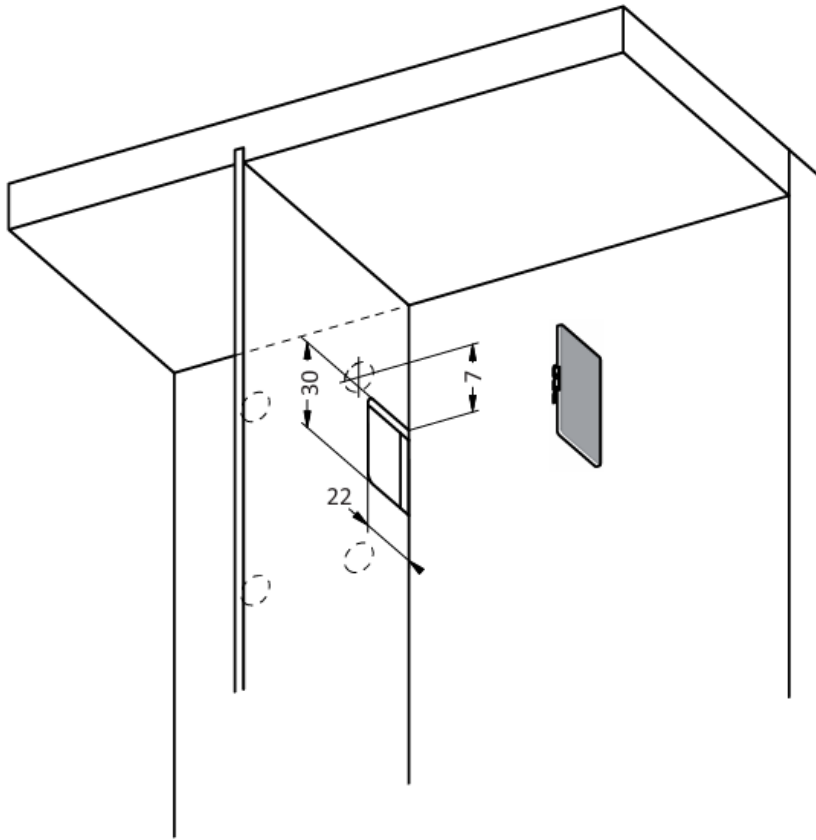
B	26	27	28	29	30	31	32	33	34	35	36	37	38	39	40	41	42
X	19	19	19	18	17	16	15	14	13	12	11	10	9	8	7	6	5
E	12	11	10														

F3

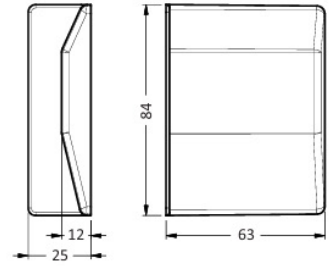


C		51	52	53	54	55	56	57	58	59	60	61	62	63	64	65	66	67	68
L=3	X	19	19	19	19	19	19	19	19	19	19	18	17	16	15	14	13	12	11
	G	10	11	12	13	14	15	16	17	18	19								
L=4	X		19	19	19	19	19	19	19	19	19	18	17	16	15	14	13	12	11
	G		10	11	12	13	14	15	16	17	18								
L=5	X			19	19	19	19	19	19	19	19	18	17	16	15	14	13	12	11
	G			10	11	12	13	14	15	16	17								
L=6	X				19	19	19	19	19	19	19	18	17	16	15	14	13	12	11
	G				10	11	12	13	14	15	16								

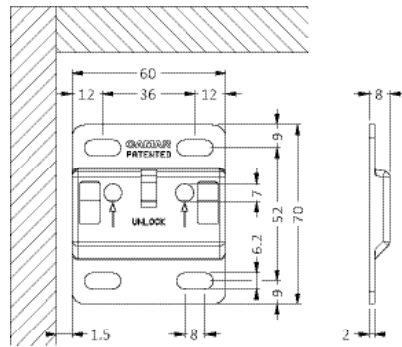
F4



Cover Cap (White)

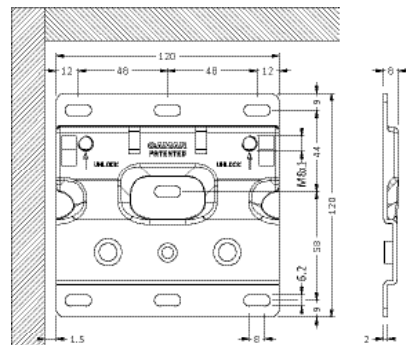


Mounting Plate TA-405



TA-405

Mounting Plate TA-406



TA-406

TA-402 - Base Units Wall XL Hanging Bracket | TA-409 - Anti-Drop Wall Plate



- Instead of units taking up floor space, One elegant way to place a cabinet is to mount it onto a wall possible through Camar patented hanging brackets.
- Designed to support weight up to 100kg. The hanging brackets supports deep drawer base cabinet (cantilever weights of 100kg).
- Made out of steel, with a white cover cap.
- Available with 3D locking mounting plate.
- It allows height adjustment of up to 20mm and depth adjustment of up to 18mm.
- The hookoff protection device adds to the safety of the bracket, preventing accidental unhooking of the wall unit.
- The wall plate secures the hanging bracket and locks it. Can be released only using a screw driver.
- The wall plate is secured with the wall using 4pc screws at a distance of 48mm, which further enhances the weight carrying capacity of the plate.

PRODUCT INFORMATION

1 Set TA-402 with TA-409 Mounting Plate Consist of



TA-402 - 2pcs



Cover Cap (White) - 2 pcs

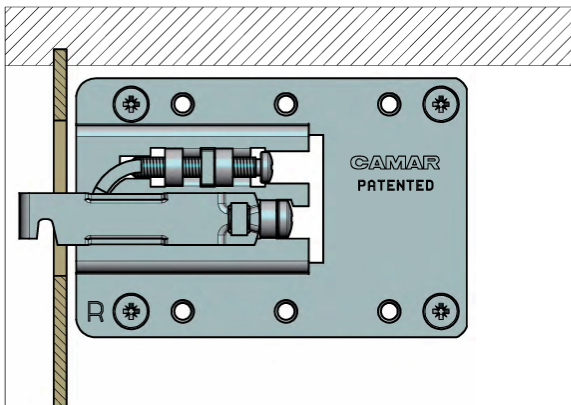
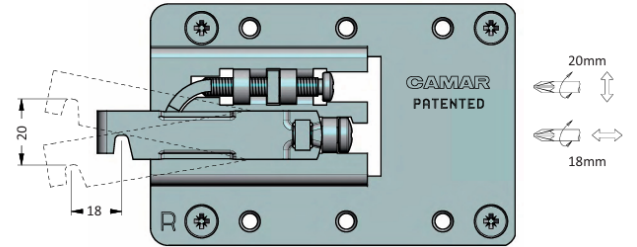
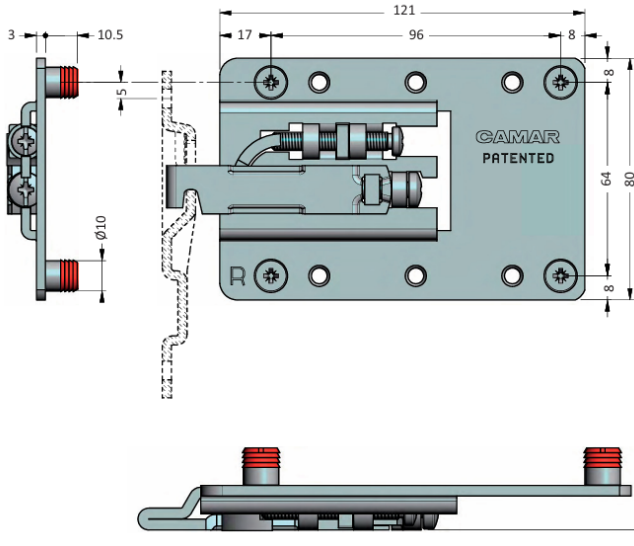


TA-409 - 2pcs

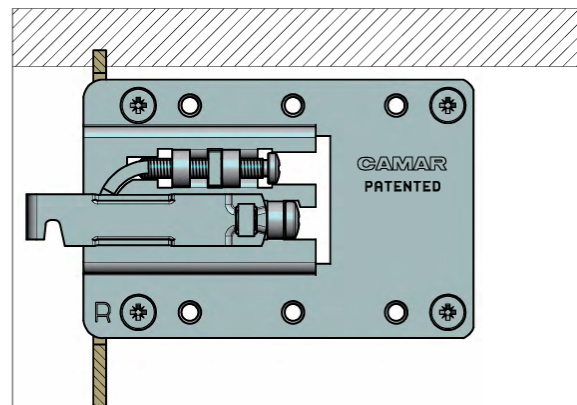
Code	Description	Size	Finish
TA-400.W	Conceal Wall Hanging Bracket With Cover Cap & Mounting Plate		White
TA-400.N			Nickle Plated

TECHNICAL INFORMATION

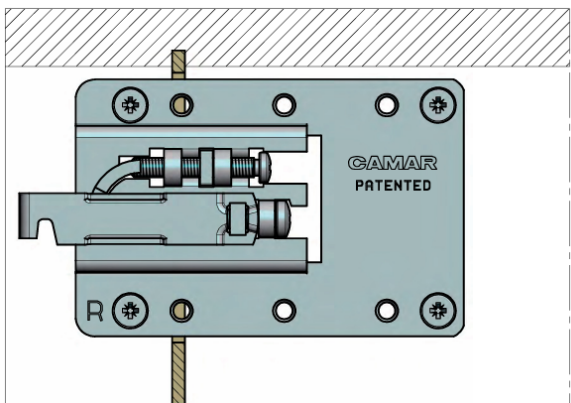
Bracket



F1

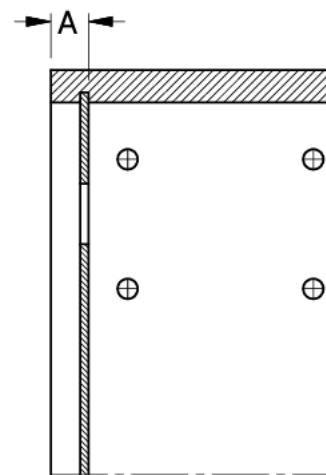
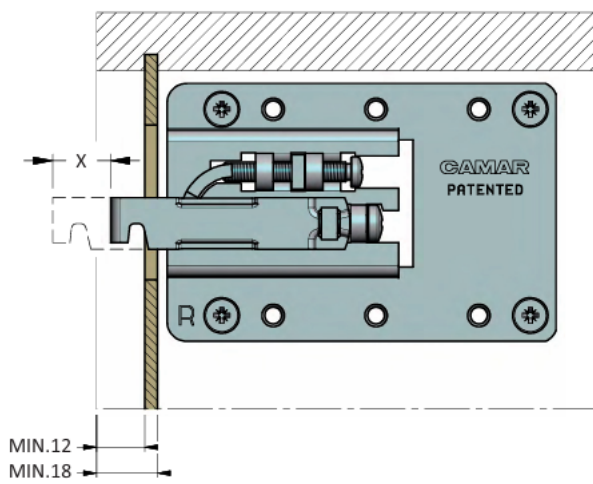
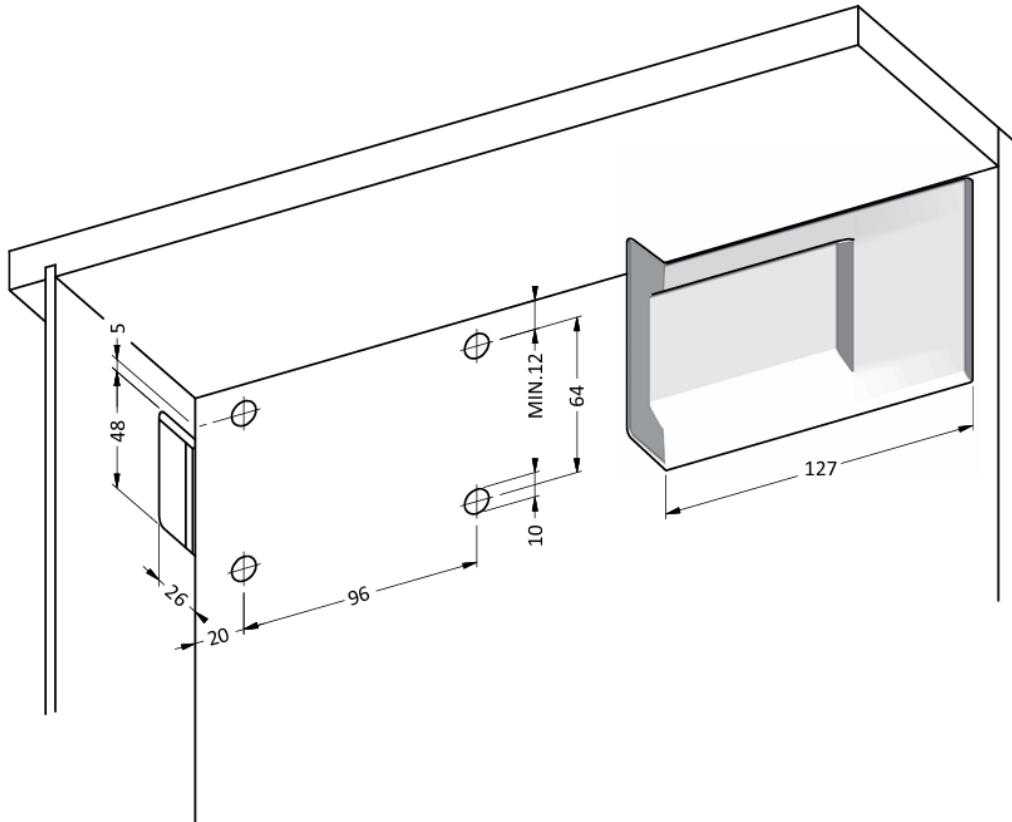


F2



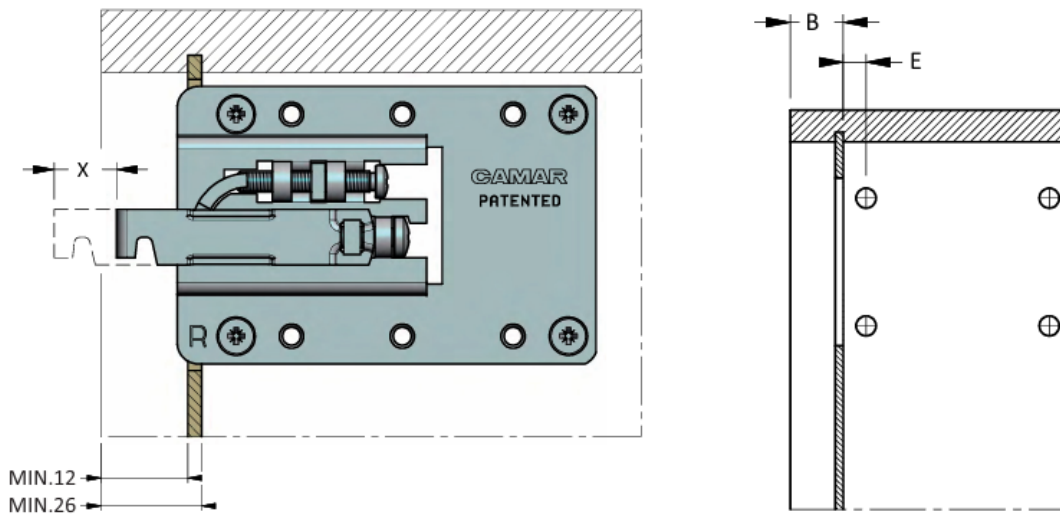
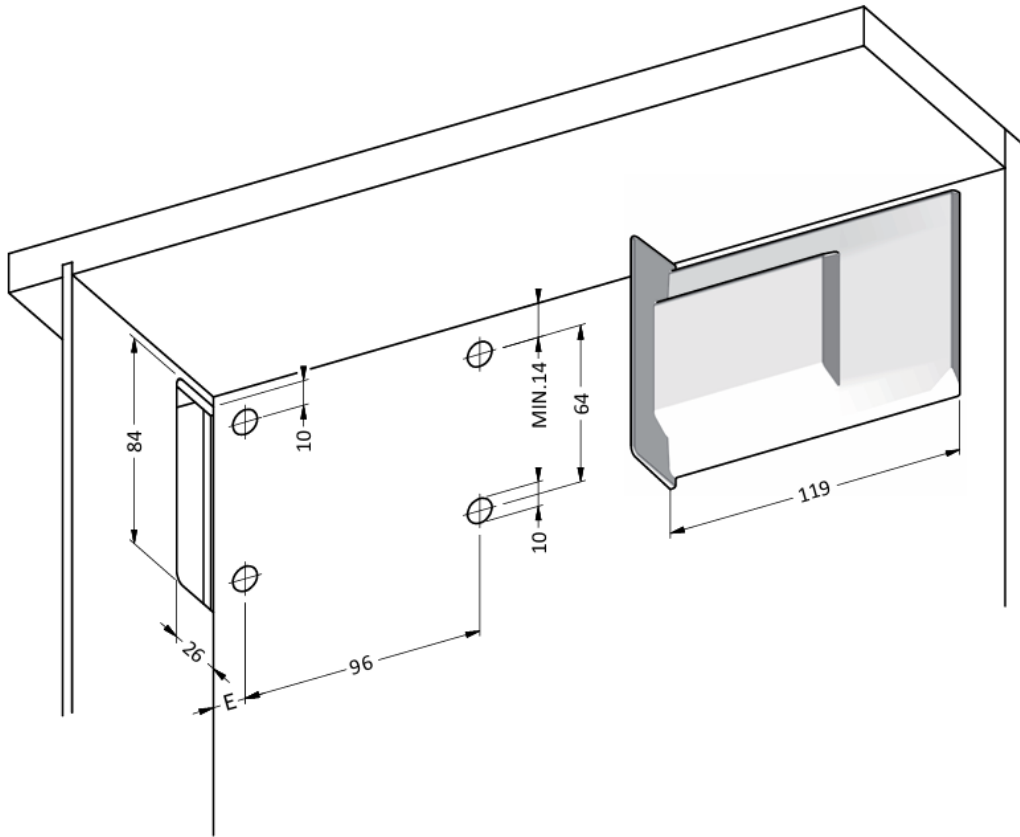
F3

F1



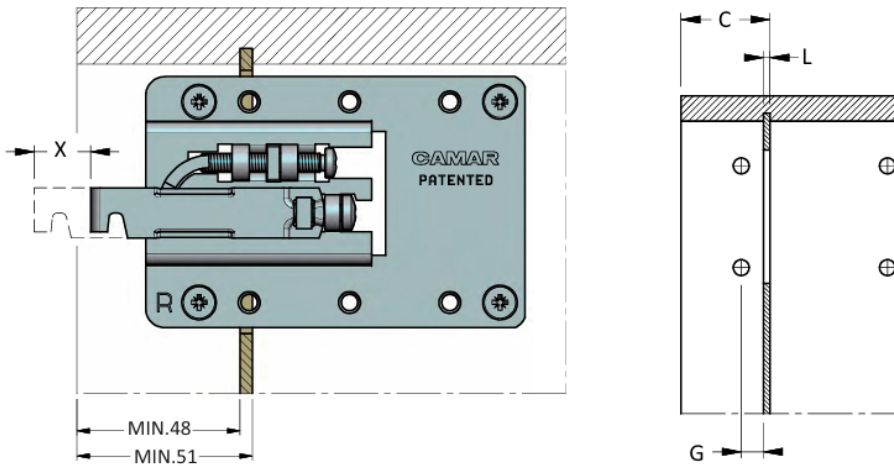
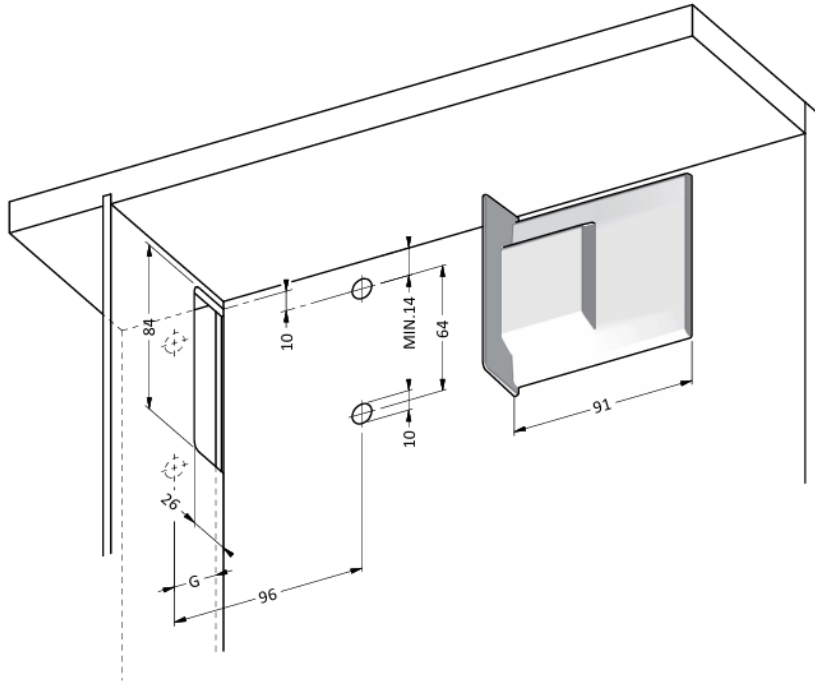
A	18	19	20	21	22	23	24	25
X	18	17	16	15	14	13	12	11

F2



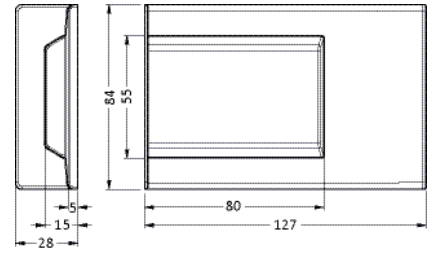
B	26	27	28	29	30	31	32	33	34	35	36	37	38
X	18	18	18	17	16	15	14	13	12	11	10	9	8
E	12	11	10										

F3

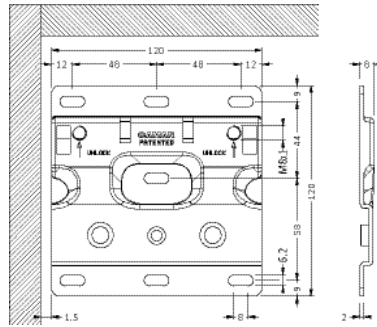


C		51	52	53	54	55	56	57	58	59	60	61	62	63	64	65
F=3	X	18	18	18	18	18	17	16	15	14	13	12	11	10	9	8
	G	10	11	12	13	14										
F=4	X		18	18	18	18	17	16	15	14	13	12	11	10	9	8
	G		10	11	12	13										
F=5	X			18	18	18	17	16	15	14	13	12	11	10	9	8
	G			10	11	12										
F=6	X				18	18	17	16	15	14	13	12	11	10	9	8
	G				10	11										

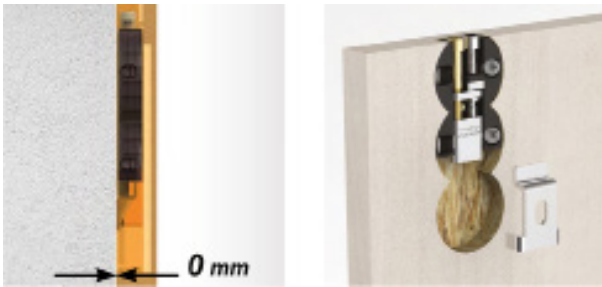
Cover Cap (White)



Mounting Plate TA-409



TA-408 - Insert Panel Hanging Bracket



- Wall panel hanging bracket insert from back side of the panel.
- No gap between panel & wall.
- 3D locking mounting plate.
- Load carry capacity 42kg.
- Panel size can be 1200mm x 800mm.
- Adjustable in vertically 2mm & Horizontally 8mm.
- Made of ABS & Zamak

PRODUCT INFORMATION

1 Set TA-408 Consist of



TA-408 - 2pcs

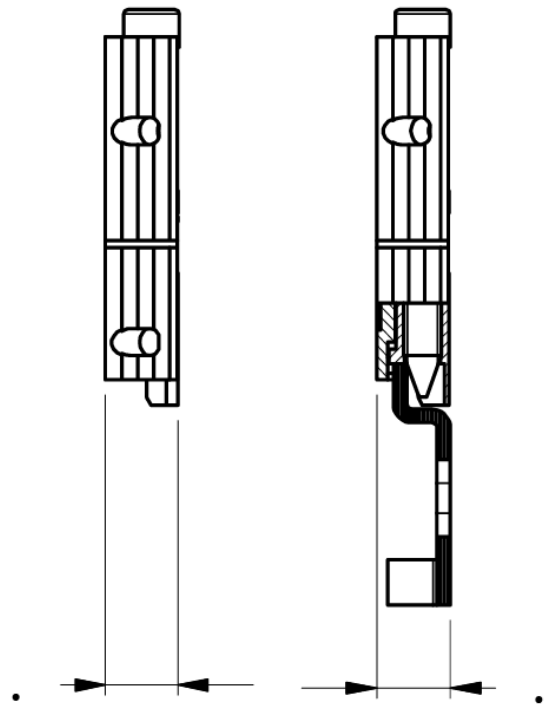
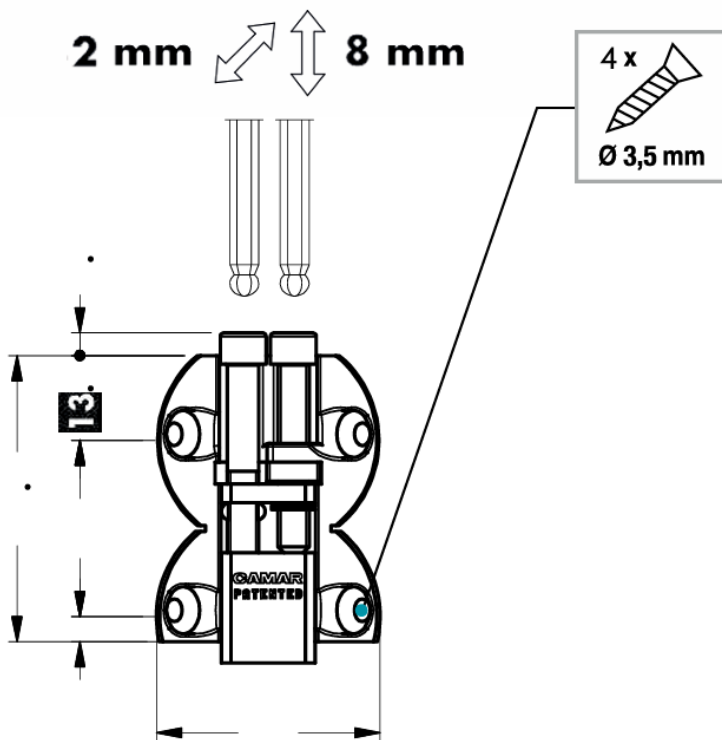
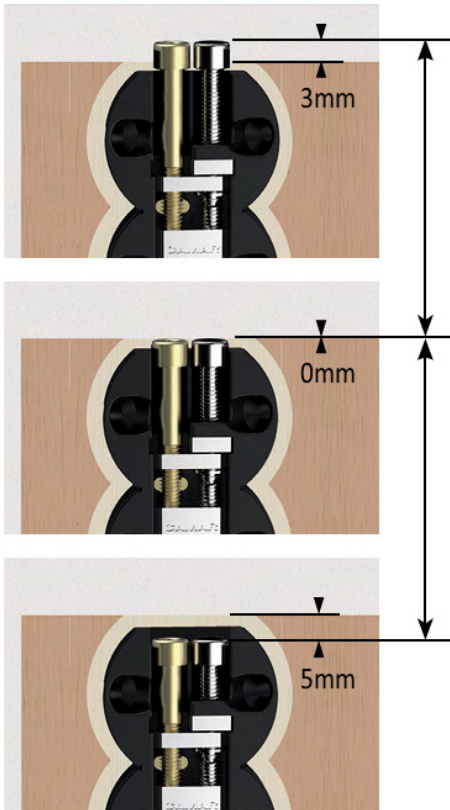


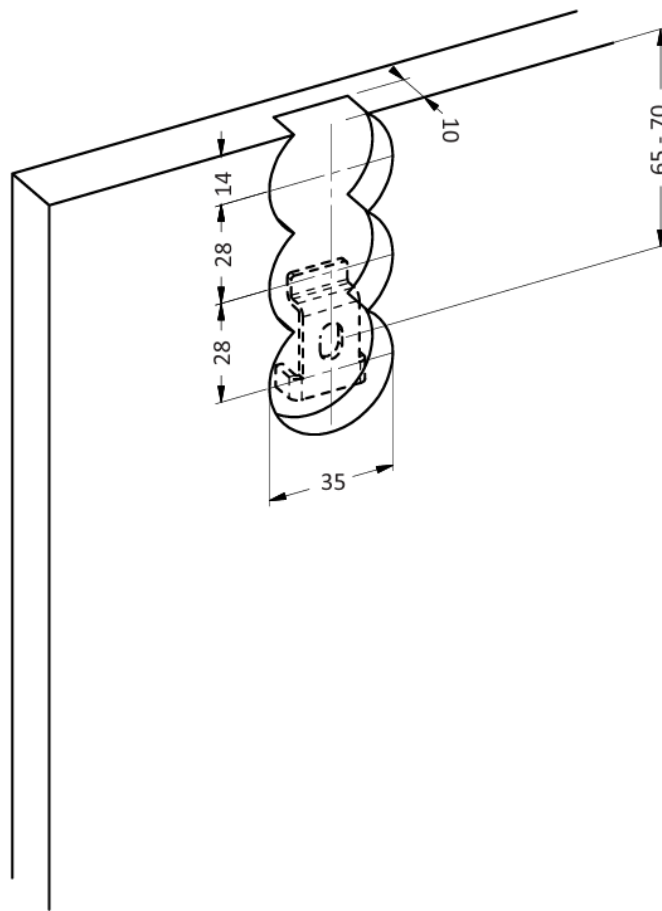
Mounting Plate - 2pcs

Code	Description	Size	Finish
TA-408	Insert Panel Hanging Bracket		Black + Zinc

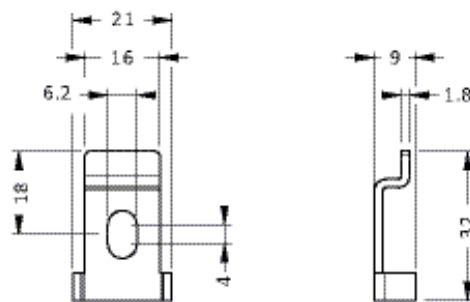
TECHNICAL INFORMATION

Bracket





Mounting Plate



STRAIGHTENERS GLIX DO
BELAPOST BASKET SHING
IANTE LUMINOUS SHELF
OBESTRAIGHTENERSWAR
SLIDING DOORS LIFT UPS
HANDLES STRAIGHTENERS
AWERS WARDROBE BELAI

PROSOL[®]
we deliver quality!

PROFESSIONAL ASSISTANCE GROUP

Delhi office :
4/24, West Patel Nagar,
New Delhi - 110008.

Design centre :
Tower-1 -107, DLF Corporate Greens,
Sector 74A, Gurgaon - 122004.

Email : sales@pagonline.co.in | Web : www.pro-sol.in
Mobile : +91 9868183982

