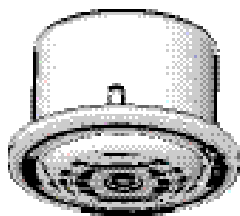


STRAIGHTENERS GLIX DO
BELAPOST BASKET SHING
IANTE LUMINOUS SHELF
OBE **LUXURY** LIVING WAR
SLIDING DOORS LIFT UPS
HANDLES STRAIGHTENERS
AWERS WARDROB **2024** AI

W.E.F 01-06-2024

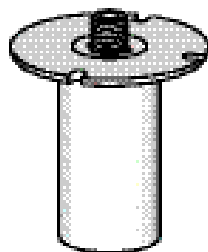
LEVELLERS & LEGS

Levellers to be Order Separately



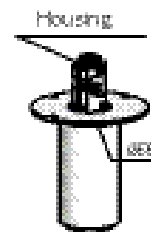
TA-3615

Adjustable Leveller Small



TA-3616

Adjustable Leveller Big



TA-3617

Adjustable Leveller Big with Housing

CODE	DESCRIPTION	SIZE	FINISH
TA-1056.18	Joint with Conic Screw 9mm	For 18mm Panel	Raw
TA-1056.25	Joint with Conic Screw 12.5mm	For 25mm Panel	Raw
TA-1057	Bolt	M6 x 31mm	Zinc
TA-1058	Bush	M6 x 12.5mm	Raw
TA-1059.18	Passing Bolt 59mm x 7.8mm	For 18mm Panel	Zinc
TA-1059.25	Passing Bolt 66mm x 7.8mm	For 25mm Panel	Zinc
TA-1060.BL	Cover Cap	15.5mm	Black
TA-3618	Metal Cover Cap	H. 3.75mm x Ø 14mm	Bronze

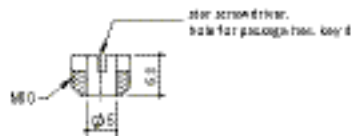
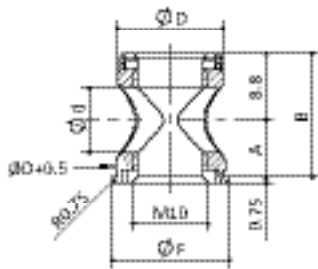
Product Information

TA-1056 - Joint with Conic Screw

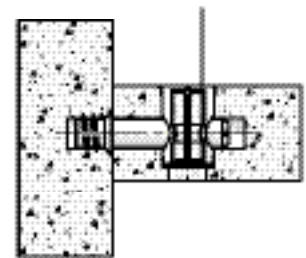


- For 18mm & 25mm Panel
- Material : Mild Steel | Die Cast
- Finish : Raw
- Housing System with Collar

Technical Information



TA-1056



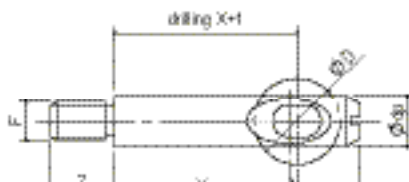
Code	ØD	Ød	ØF	A	B	Finish
TA-1056.18	14	8.5	15.5	9	17.8	Raw
TA-1056.25				12.5	21.3	Raw

TA-1057 - Bolt

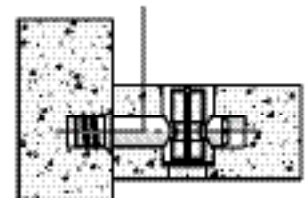


- The slotted through hole allows the passage of an hex. Key 4 considering the machining and assembling tolerances.
- Material : Mild Steel
- Finish : Zinc
- Size : M6 x 31mm

Technical Information



TA-1057



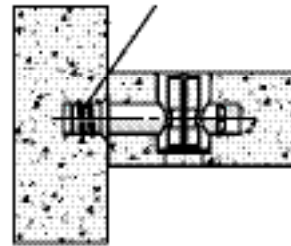
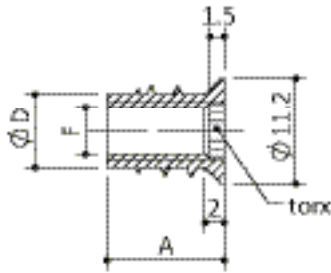
Code	ØD	Ødp	X	Y	Z	Finish
TA-1057	14	7.5	20	31	10	Zinc

TA-1058 - Bush



- Material : Mild Steel | Die Cast
- Finish : Raw
- Size : M6 x 12.5mm

Technical Information



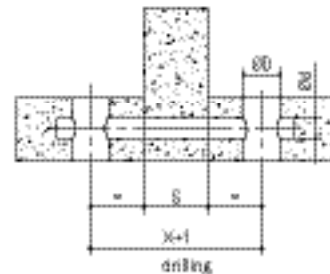
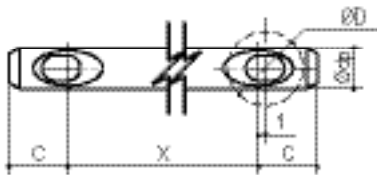
Code	ØD	A	F	Torx	Finish
TA-1058	8	12.3	M6	T45	Raw

TA-1059 - Passing Bolt



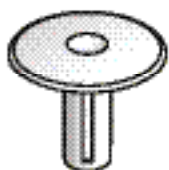
- The slotted through hole allows the passage of an hex. Key 4 considering the machining and assembling tolerances.
- For 18mm & 25mm Panel
- Material : Mild Steel
- Finish : Zinc

Technical Information



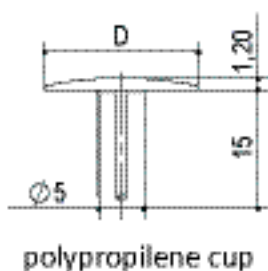
Code	ØD	Ødp	Ød	X	S	C	Finish
TA-1059.18	14	7.8	8	59	18	11	Zinc
TA-1059.25				66	25		Zinc

TA-1060 - Cover Cap

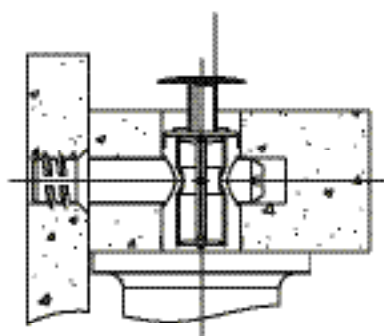


- Material : Polypropilene
- Finish : Black

Technical Information



TA-1060



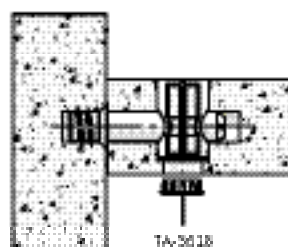
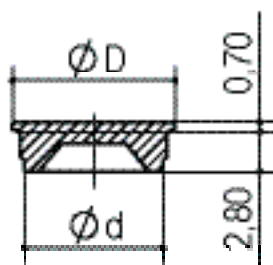
Code	Measure	D	Finish
TA-1060.BL	15.5 x 15 x 05	15.5	Black

TA-3618 - Metal Cover Cap



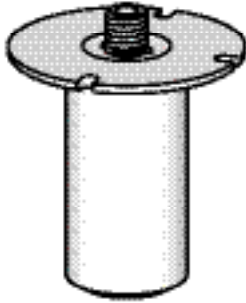
- Material : Die-cast cup
- Finish : Bronze

Technical Information



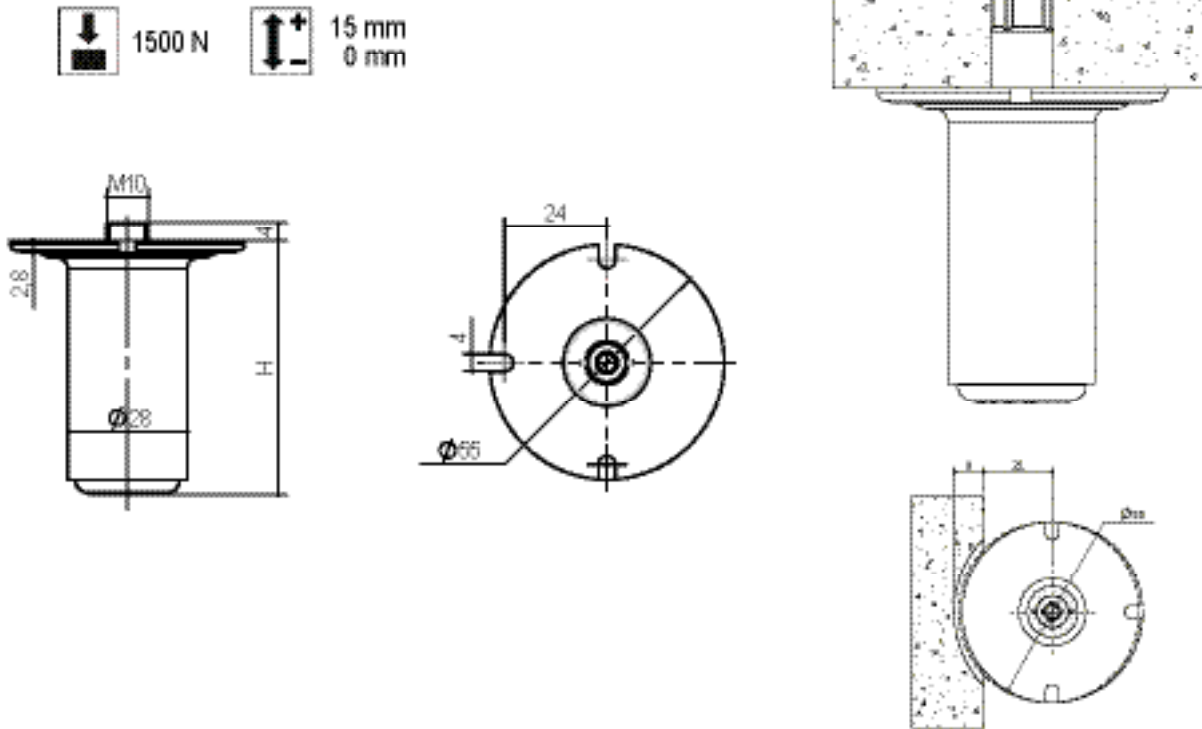
Code	d	D	Finish
TA-3618	14	15.5	Bronze

TA-3616 - Adjustable Leveller



- Material : Nylon FG-Steel
- Finish : Grey
- Size : H. 60mm (+15mm)
- Leveler for bottom location outer side.

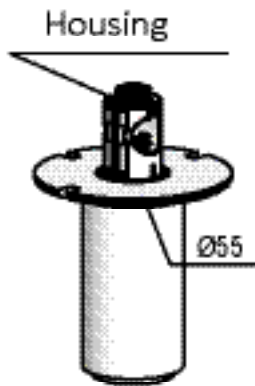
Technical Information



Code	Measure	H	Finish
TA-3616	60	60	Grey

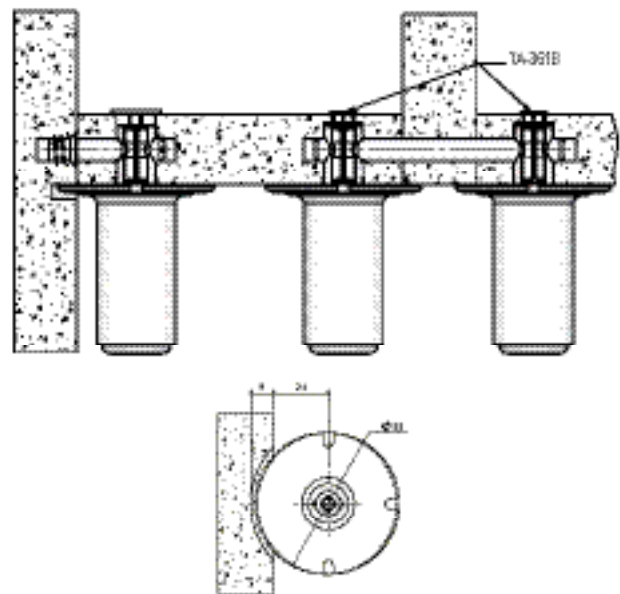
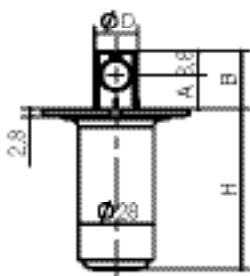
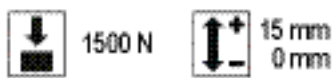
Code	Description	Size	Finish
TA-3616	Adjustable Leveller	H.60mm (+15mm)	Grey

TA-3617 - Adjustable Leveller with Housing



- Suitable panel thickness 25mm
- Material : Nylon FG-Steel
- Finish : Grey
- Size : H. 60mm (+15mm)
- The sub-base level adjuster outer side pre-assembled with the connecting fittings indicated in the table acts both as level adjuster and as connecting fitting.
- It supports the outer side.
- It is particularly useful in cases where the internal sides do not go on the ground as machining is not required.

Technical Information

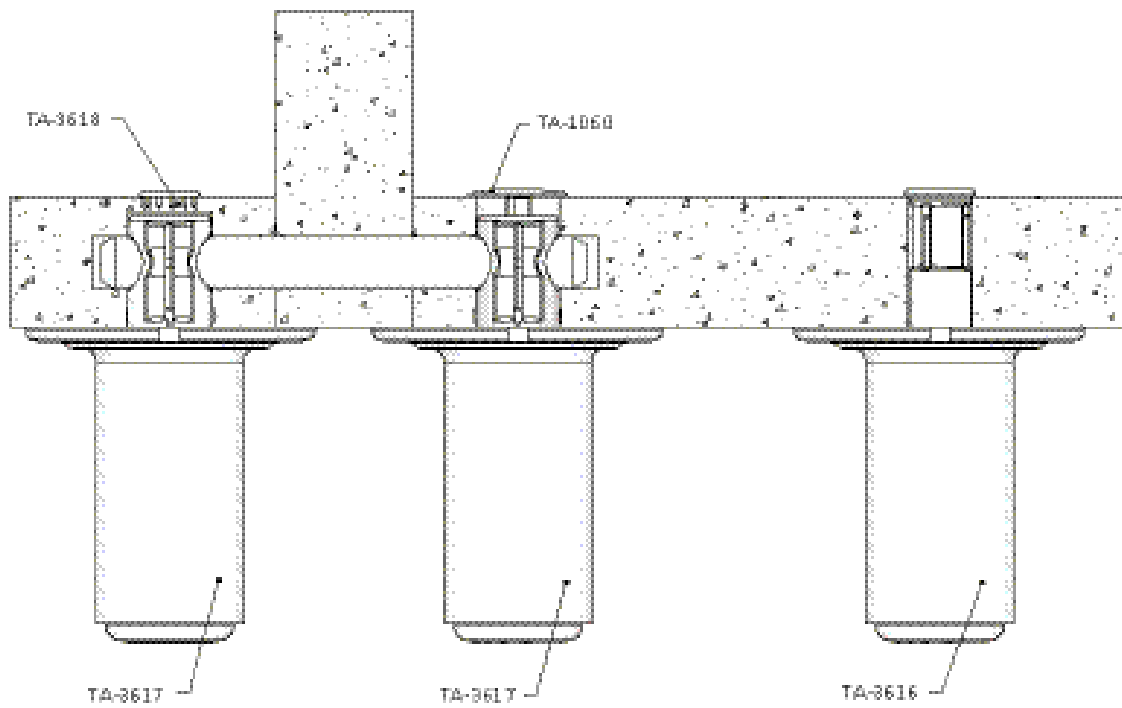
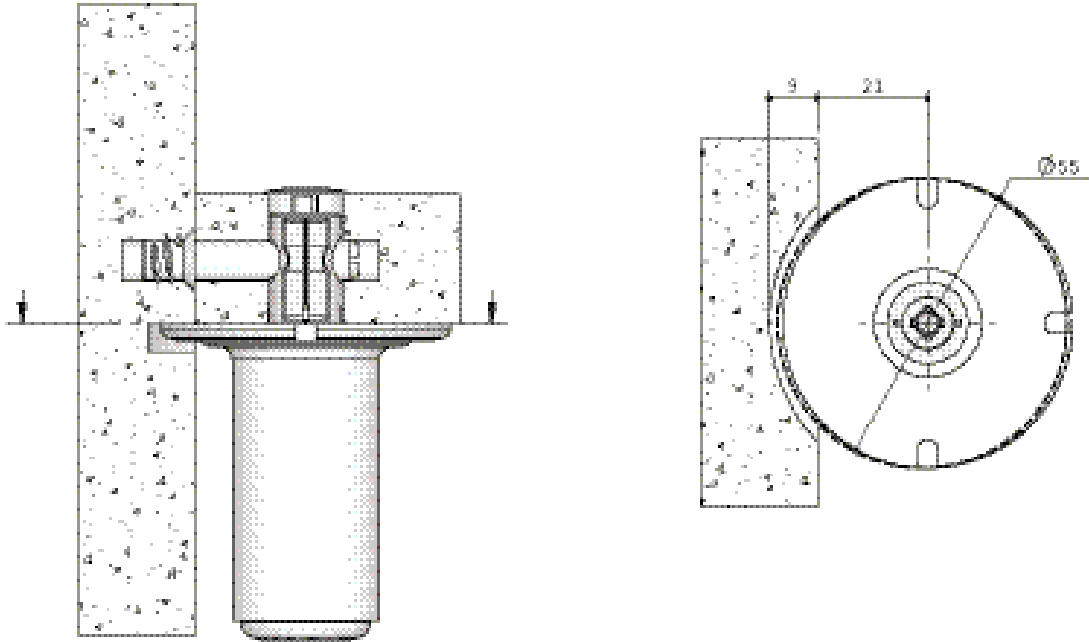


(Connector to be order separately)

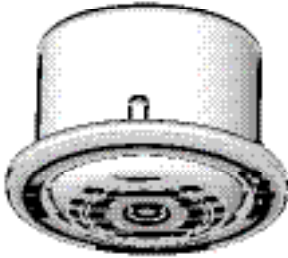
Code	Adjustable Leveller		Housing			
	Leveller H	Finish	ØD	A	B	Finish
TA-3617	H. 60mm (+15mm)	Grey	13.9	12.5	21.3	Zinc
						Zinc

Code	Description	Size	Finish
TA-3617	Adjustable Leveller with Housing	H. 60mm (+15mm)	Grey

Application Example

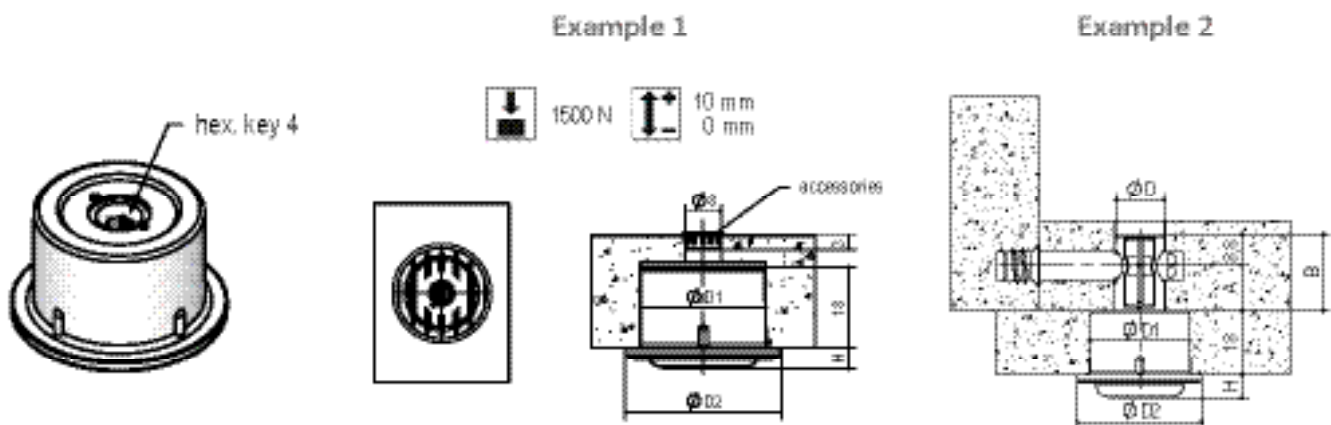


TA-3615- Adjustable Leveller



- Material : Steel-Grey Nylon FG
- Finish : Grey
- Size : H. 5mm (+ 10mm)
- TA-3615 are normally recessed in the ground bases.
- They perform the joining function adjustment also with fewer pieces to assemble.
- Low adjustment torque.
- Built-in level adjuster for ground base made of nylon fibre glass. Excellent capacity.

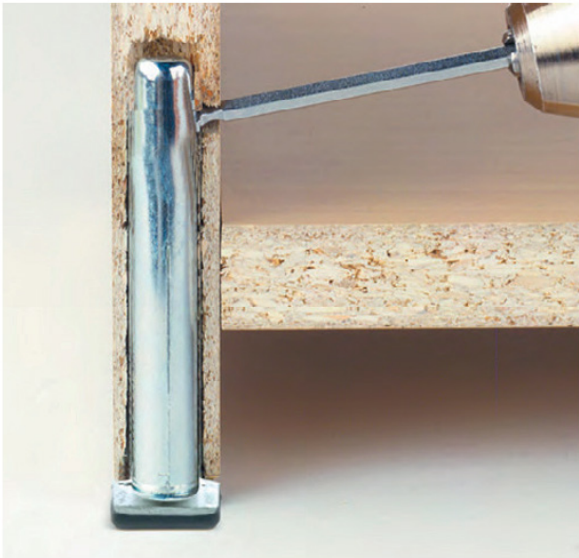
Technical Information



Code	Measure	H	D1	D2	Finish
TA-3615	5.0	5.0	30	38	Grey

Code	Description	Size	Finish
TA-3615	Adjustable Leveller	H. 5mm (+10mm)	Grey

TA-623 - Leveller with Cap

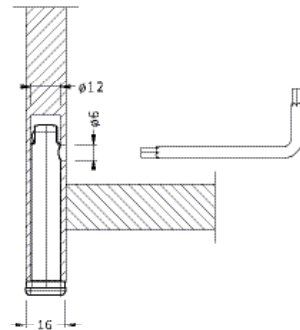
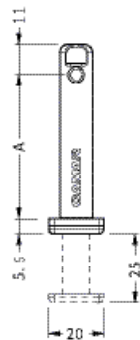


- Leveller conceal in the side panel.
- Available Height : 100mm.
- Leveller made of zamak & mild steel.
- Height adjustment up to 250mm.
- Load Carry Capacity : 300kg.
- Suitable for Vertical Thickness 18mm above.
- Height adjustment from side panel with key.
- 12mmØ drilling required to insert.

PRODUCT INFORMATION



TA-623



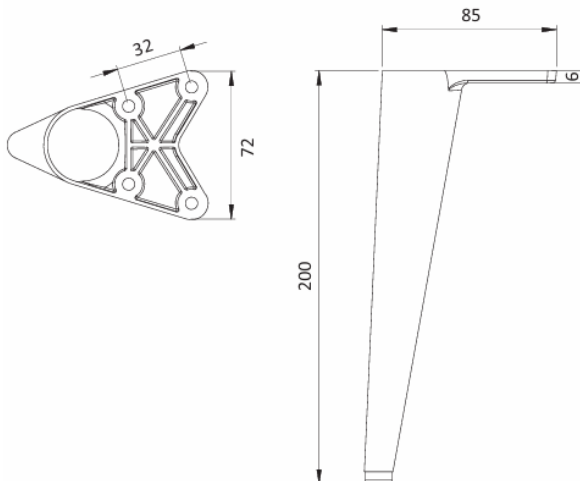
Code	Description	Size	Finish
TA-623	Leveller with cap	100mm	Zinc

TA-617 - Leg



- Material : Zinc.
- Height : 200mm Adjustable.
- Finish : Matt Black, Bronze.
- Application : Furniture, Kitchen, Cabinet etc.
- Made in Italy.

PRODUCT INFORMATION



Code	Description	Size	Finish
TA-617.MB	Leg	200mm	Matt Black
TA-617.BRZ		200mm	Bronze

STRAIGHTENERS GLIX DO
BELAPOST BASKET SHING
IANTE LUMINOUS SHELF
OBESTRAIGHTENERSWAR
SLIDING DOORS LIFT UPS
HANDLES STRAIGHTENERS
AWERS WARDROBE BELAI

PROSOL[®]
we deliver quality!

PROFESSIONAL ASSISTANCE GROUP

Delhi office :
4/24, West Patel Nagar,
New Delhi - 110008.

Design centre :
Tower-1 -107, DLF Corporate Greens,
Sector 74A, Gurgaon - 122004.

Email : sales@pagonline.co.in | Web : www.pro-sol.in
Mobile : +91 9868183982

