

STRAIGHTENERS GLIX DO  
BELAPOST BASKET SHING  
IANTE LUMINOUS SHELF  
OBE **LUXURY** LIVING WAR  
SLIDING DOORS LIFT UPS  
HANDLES STRAIGHTENERS  
AWERS WARDROB **2024** AI

W.E.F 01-06-2024

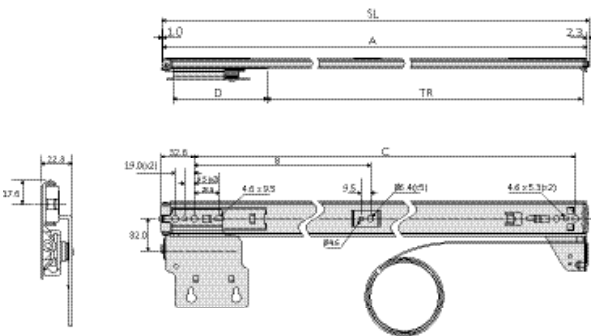
# POCKET DOOR

## TA-2701 Pocket Door Sliding System for Tall Doors



- Maximum door weight 34kg.
- Cable system for synchronized slide operation.
- Maximum door height 2300mm.
- Not suitable for mounting.
- DB - 96 hours salt spray test.
- Wood thickness should be 19-32mm.
- Door widths 255-660mm, door heights 915-2300mm.
- Vertical mounting only.
- Hinges ordered separately.
- Hinge carrier strip kit ordered separately.

## PRODUCT INFORMATION

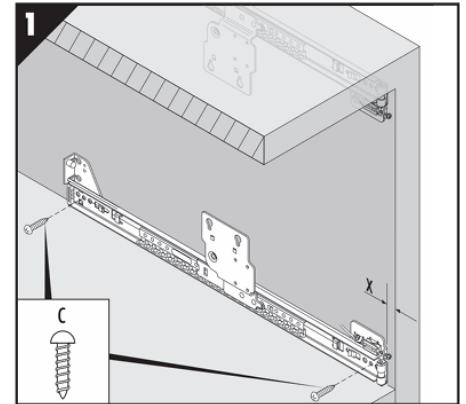
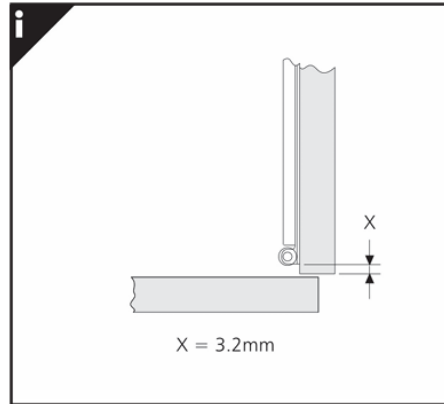
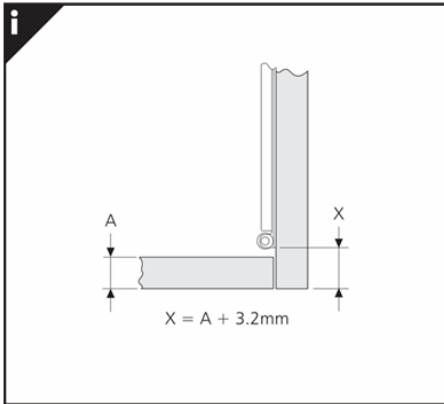


mm						kg
SL	TR	A	B	C	D	W
506	394	503.1	202.9	459.7	96.8	1.20
557	445	553.9	228.3	510.5	96.8	1.28
608	496	604.7	253.7	561.3	96.8	1.33

Code	Description	Size	Finish
TA-2701.50	Pocket Door Sliding System for Tall Doors	500	Black
TA-2701.55	Pocket Door Sliding System for Tall Doors	550	Black
TA-2701.60	Pocket Door Sliding System for Tall Doors	600	Black
TA-2702	Hinge Carrier Strip Kit Order 2 for 2 doors 915 - 1422mm tall Order 3 for 2 doors 1423 - 2000mm tall Order 4 for 2 doors 2001 - 2300mm tall		Black

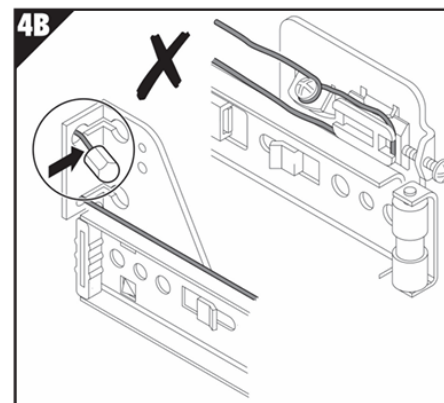
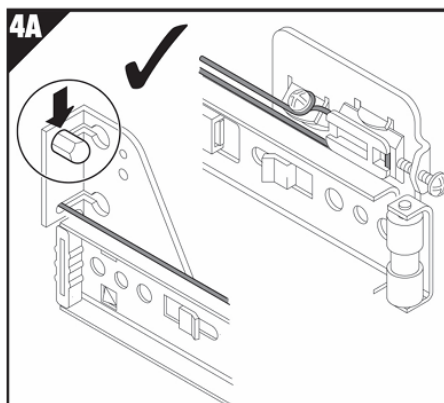
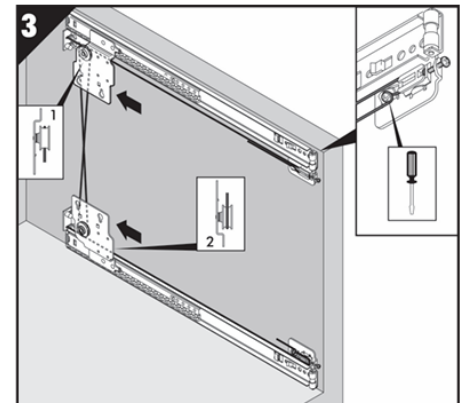
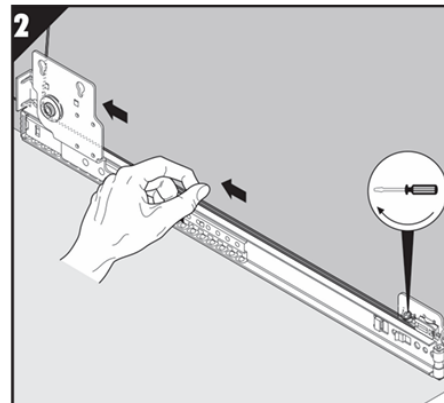
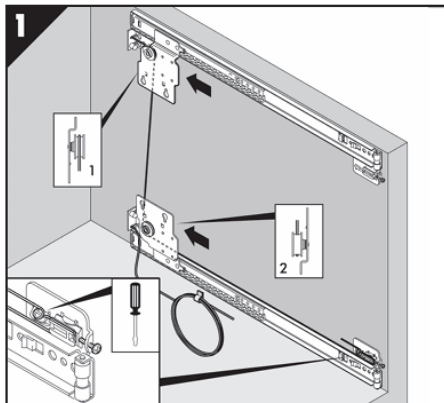
# TECHNICAL INFORMATION

## Slide Installation



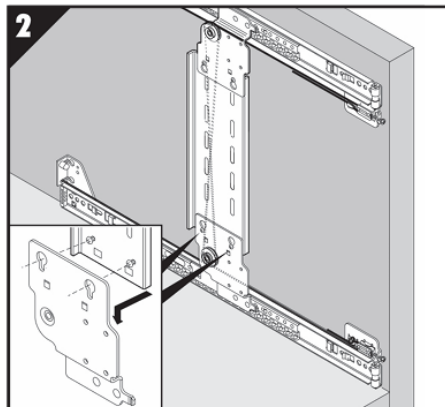
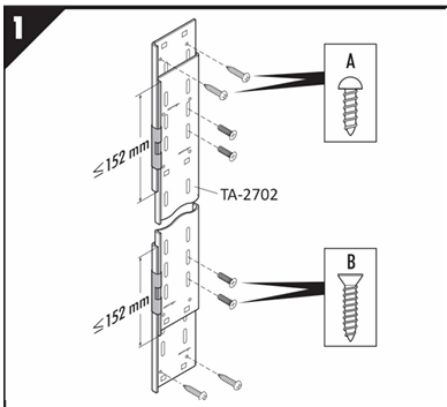
All positions must be used to achieve maximum load rating.

## Cable Installation



Adjust cable to give light tension. Do not remove (cut) excess cable.

# Hinge Carrier & Hinge Installation

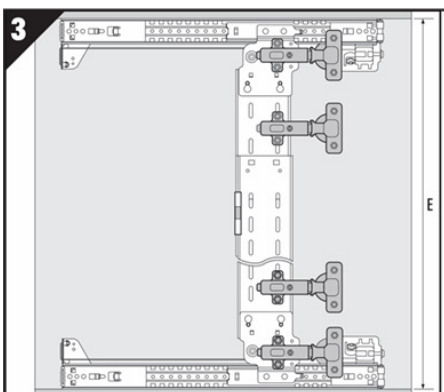


## Optional kit ordering codes

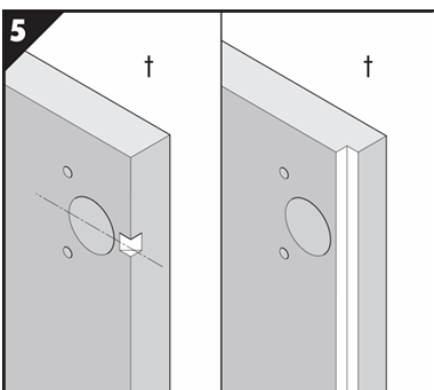
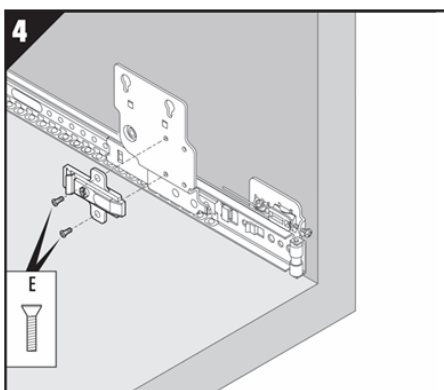
TA-2702 - hinge carrier strip kit comprises :

- 2 x hinge carrier strips, black
- 3 x connector clips, stainless steel
- Assembly hardware

Order 2 x TA-2702 for 2 doors 915 - 1422mm tall  
 Order 3 x TA-2702 for 2 doors 1423 - 2000mm tall  
 Order 4 x TA-2702 for 2 doors 2001 - 2300mm tall

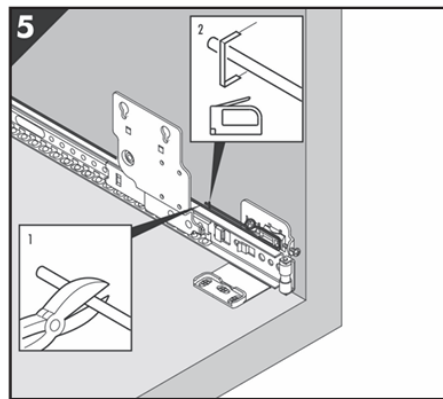
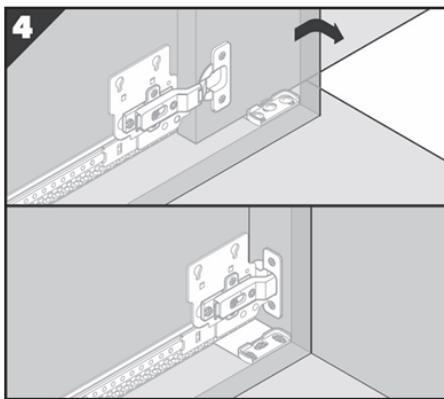
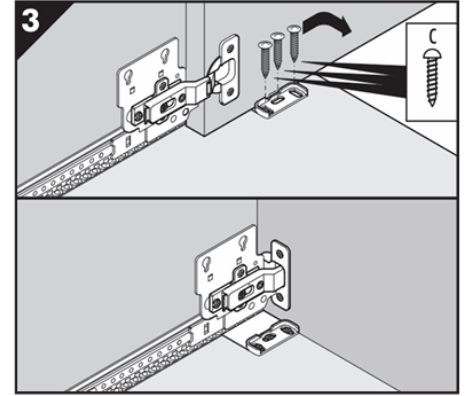
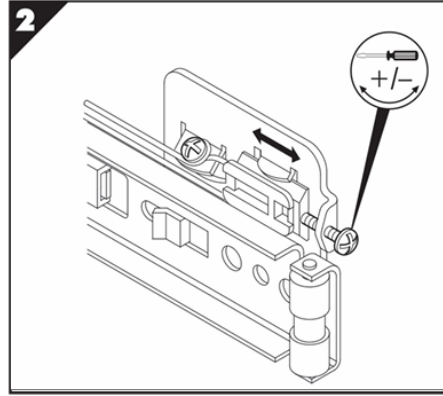
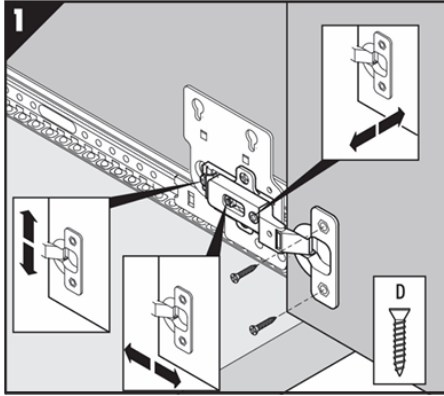


E	
915mm-1193mm	X3
1194mm-1498mm	X4
1499mm-1803mm	X5
1804mm-2300mm	X6

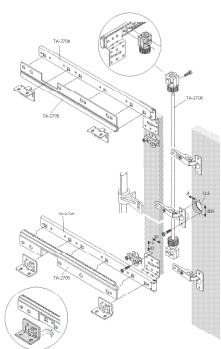


Notch or rebate for hinge arm clearance for doors >20.6mm.

## Adjustment

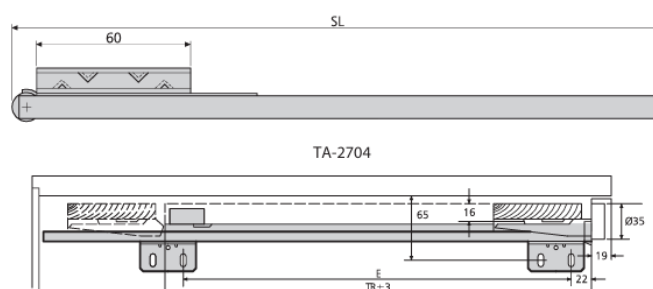
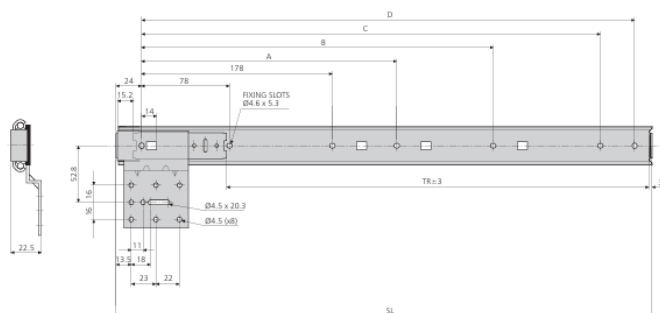


## TA-2703 - Pocket Door Sliding System for Tall Door

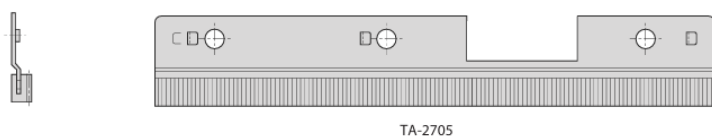


- Maximum door weight 25kg
- Wood thickness should be 16-20mm
- Hinges, base plates and follower strip order separately
- 2-5 hinges required on doors up to 2300mm
- Follower strip must be used (not supplied). Oak or hard maple recommended
- Fixing recommendation : 4mm wood screw / 6mm Euro screw
- Vertical (side) mounting only
- TA-2703 includes TA-2704 Slides, TA-2705 Toothed Railed and TA-2706 Rod 2.5mtr

### Product Information



Code	mm							kg
	SL	TR	A	B	C	D	E	W
TA-2704.45	450	344	278	378	410	-	286	0.89
TA-2704.50	500	394	328	428	460	-	366	0.96
TA-2704.55	550	444	38	478	510	-	386	1.04
TA-2704.60	600	494	278	428	528	560	436	1.09



Code	SL (mm)	W (kg)
TA-2705.45	450	0.66
TA-2705.50	500	0.74
TA-2705.55	550	0.83
TA-2705.60	600	0.92

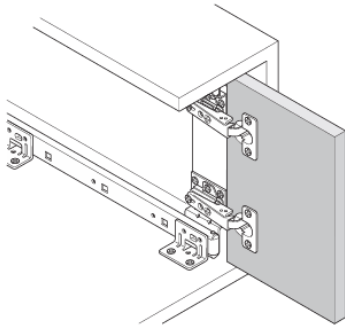
Code	mm	W (kg)
TA-2706	2500	0.90



### Order Code :

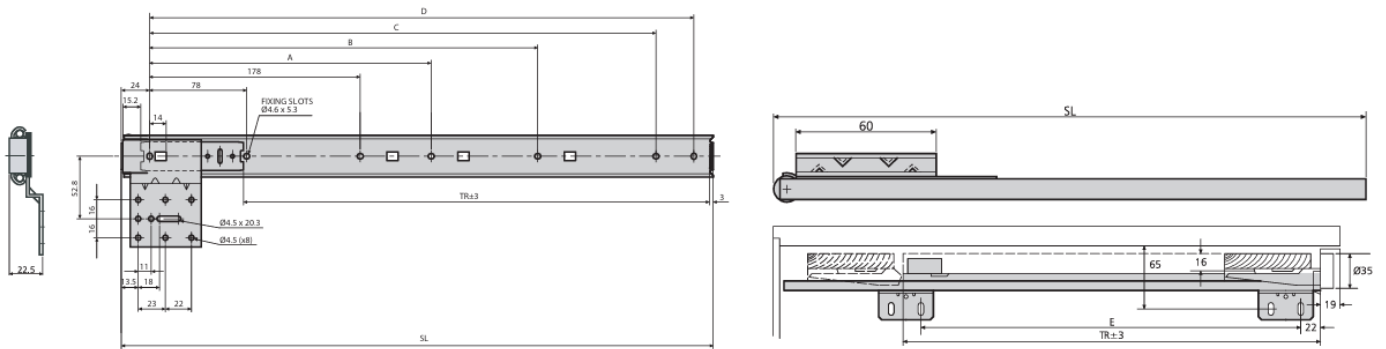
Code	Description	Size	Finish
TA-2703.45	Pocket Door Sliding System for Tall Doors	450	Zinc
TA-2703.50	Pocket Door Sliding System for Tall Doors	500	Zinc
TA-2703.55	Pocket Door Sliding System for Tall Doors	550	Zinc
TA-2703.60	Pocket Door Sliding System for Tall Doors	600	Zinc

## TA-2704 - Pocket Door Sliding System



- Maximum door weight 5.5kg
- Vertical or horizontal use
- Not suitable for flat mounting
- DZ - 12 hours salt spray test
- Wood thickness should be 16-20mm
- Maximum door height 700mm
- Follower strip must be used (not supplied). Oak or hard maple recommended

### Product Information

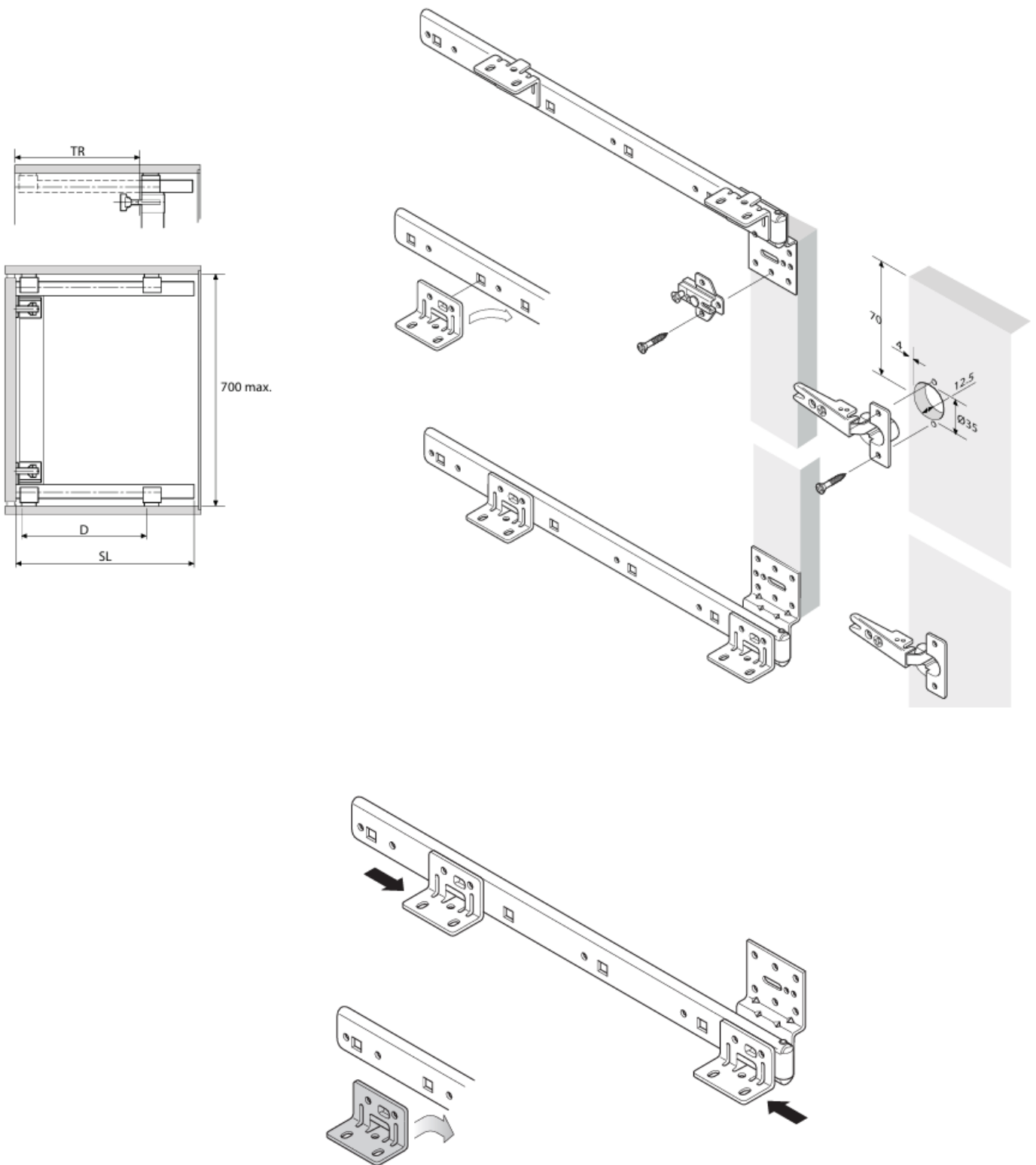


Code	mm							kg
	SL	TR	A	B	C	D	E	W
TA-2704.45	450	344	278	378	410	-	286	0.89
TA-2704.50	500	394	328	428	460	-	366	0.96
TA-2704.55	550	444	38	478	510	-	386	1.04
TA-2704.60	600	494	278	428	528	560	436	1.09

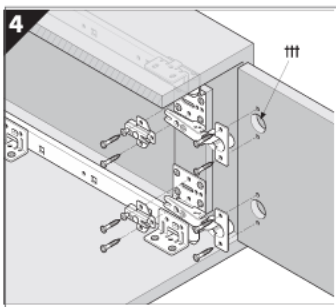
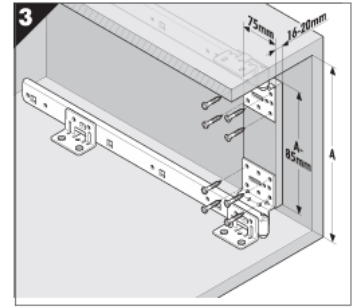
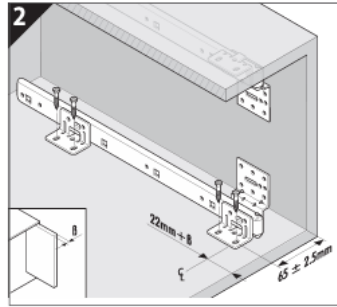
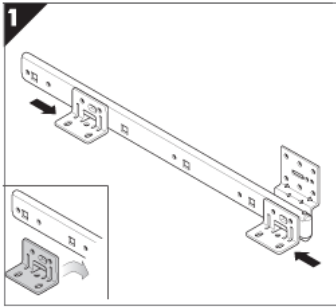
### Order Code :

Code	Description	Size	Finish
TA-2704.45	Pocket Door Sliding System	450	Zinc
TA-2704.50	Pocket Door Sliding System	500	Zinc
TA-2704.55	Pocket Door Sliding System	550	Zinc
TA-2704.60	Pocket Door Sliding System	600	Zinc

# TECHNICAL INFORMATION

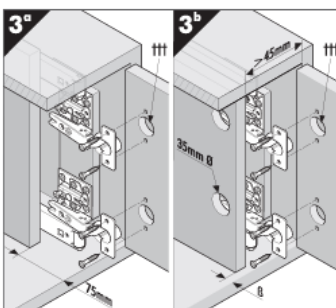
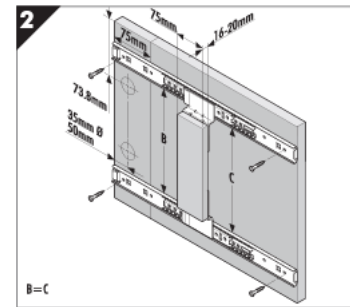
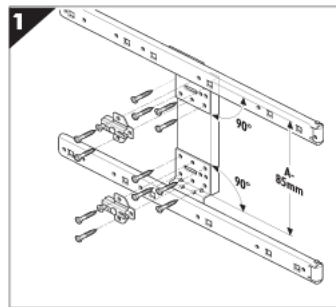
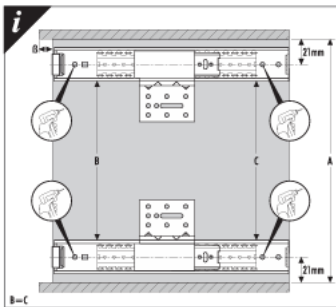


## TA-2704 - Bracket Installation



All fixing positions must be used to achieve maximum load rating.  
 Fixing screw : 4mm wood screw.  
 † Slide must be locked into forward position to synchronize pinions.  
 †† Profile rod not included - order separately  
 ††† Refer to hinge table for hinge mounting dimensions.

## TA-2703 - Intermediate Panel Installation



All fixing positions must be used to achieve maximum load rating.  
 Fixing screw: 4mm wood screw.  
 † Slide must be locked into forward position to synchronize pinions.  
 †† Profile rod not included - order separately  
 ††† Refer to hinge table for hinge mounting dimensions.  
 Distance from intermediate panel to side wall minimum 45mm

STRAIGHTENERS GLIX DO  
BELAPOST BASKET SHING  
IANTE LUMINOUS SHELF  
OBESTRAIGHTENERSWAR  
SLIDING DOORS LIFT UPS  
HANDLES STRAIGHTENERS  
AWERS WARDROBE BELAI


**PRO**SOL<sup>®</sup>  
we deliver quality!

**PROFESSIONAL ASSISTANCE GROUP**

**Delhi office :**  
4/24, West Patel Nagar,  
New Delhi - 110008.

**Design centre :**  
Tower-1 -107, DLF Corporate Greens,  
Sector 74A, Gurgaon - 122004.

Email : [sales@pagonline.co.in](mailto:sales@pagonline.co.in) | Web : [www.pro-sol.in](http://www.pro-sol.in)  
Mobile : +91 9868183982

 YouTube

 Instagram

 Facebook

